



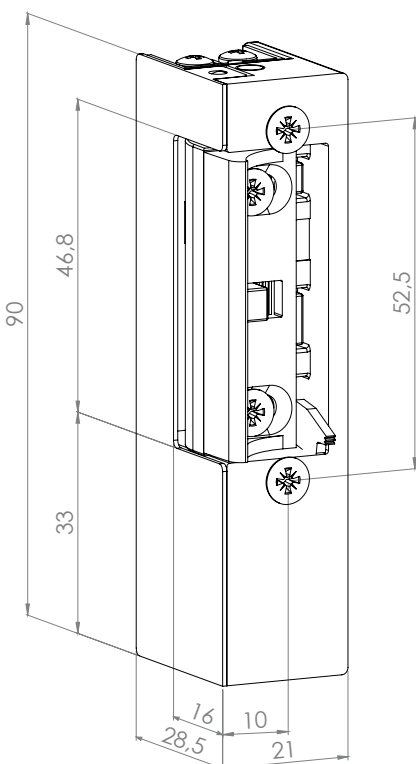
**Cierres  
eléctricos**  
*Electric door  
openers*



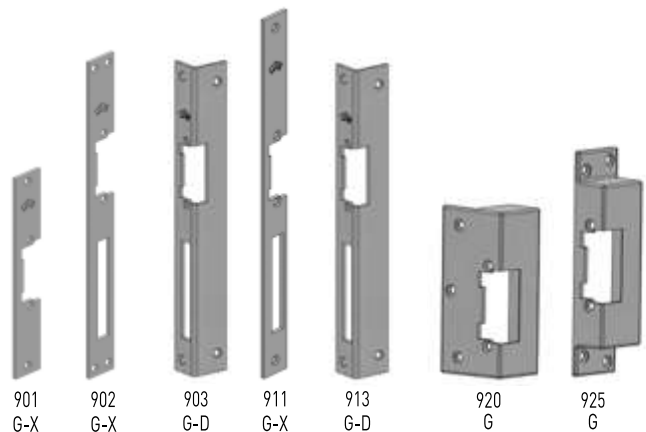
INICIAL / INITIAL  
 BÁSICO / BASIC  
 ECONÓMICO / ECONOMIC

### Características técnicas / Technical specifications


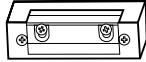
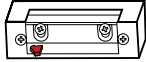
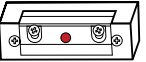
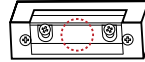


|  |   |
|--|---|
| <b>Medidas / Dimensions</b>                            | 90 X 21 X 28,5 mm                                     |
| <b>Voltaje / Voltage</b>                               | Según tabla de bobinas / According to the coils table |
| <b>Pestillo ajustable / Adjustable latch</b>           | 5 mm  |
| <b>Profundidad de pestillo / Latch bolt depth</b>      | 7 mm  |
| <b>Resistencia a la rotura / Break-in resistance</b>   | 3.000 N   |
| <b>Precarga / Preload</b>                              | 90 N 12 V AC / 10 N 12 V DC                           |
| <b>Ciclos / Cycles</b>                                 | 250.000   |
| <b>Reversible / Reversible</b>                         | Si / Yes  |
| <b>Posición de instalación / Installation position</b> | Vertical. Horizontal                                  |
| <b>Temperatura de trabajo / Operating temperature</b>  | -10°C + 60°C  |



### Frontales compatibles / Compatible front plates



## Funciones disponibles / Available features

|            |  |  |  |  |  |  |  |
|------------|---|---|---|---|---|---|---|
| Referencia | Pestillo ajustable  | Estándar  | Palanca desbloqueo  | Memoria / Memory  |   | Normal  | Inverso   |
| Reference  | Adjustable latch  | Standard  | Releasing lever   | Pin   | Interna Internal  | Fail secure   | Fail safe   |
| 810        |   | ✓   |   |   |   | ✓   |   |
| 812        | ✓   | ✓   |   |   |   | ✓   |   |
| 820        |   | ✓   | ✓   |   |   | ✓   |   |
| 822        | ✓   | ✓   | ✓   |   |   | ✓   |   |
| 830        |   |   |   | ✓   |   | ✓   |   |
| 832        | ✓   |   |   | ✓   |   | ✓   |   |
| 833        |   |   |   |   | ✓   | ✓   |   |
| 834        | ✓   |   |   |   | ✓   | ✓   |   |
| 840        |   |   | ✓   | ✓   |   | ✓   |   |
| 842        | ✓   |   | ✓   | ✓   |   | ✓   |   |
| 843        |   |   | ✓   |   | ✓   | ✓   |   |
| 844        | ✓   |   | ✓   |   | ✓   | ✓   |   |
| 811        | ✓   |   |   |   |   |   | ✓   |

## Bobinas disponibles / Available coils

| Bobinas / Coils                        | Normal / Fail secure |                               | Inverso / Fail safe |            |
|--|----------------------|-------------------------------|---------------------|------------|
|  | A                    | C                             | E                   | F          |
| Conexión eléctrica<br>Electrical power | 6-12 V<br>AC / DC    | 12-24 V<br>AC / DC            | 12 V DC             | 24 V DC    |
| Trabajo continuo / Continuous duty     |                      | 100% DC                       | 100% DC             | 100% DC    |
|  | <1'                  | <1'12 VAC<br><1' 24 V AC / DC | 12 V DC             | 24 V DC    |
| Tensión nominal / Nominal voltage V    | 12 V AC              | 12 V AC                       | 12 V DC             | 24 V DC    |
| Resistencia / Resistance Ω             | 10                   | 40                            | 60                  | 150        |
| Consumo / Consumption AC / mA          | 6 V / 425            | 12 V / 250                    |                     |            |
| Consumo / Consumption DC / mA          | 6 V / 600            | 12 V / 300                    | 12 V / 200          |            |
| Consumo / Consumption AC / mA          | 12 V / 850           | 24 V / 510                    |                     |            |
| Consumo / Consumption DC / mA          | 12 V / 1200          | 24 V / 600                    |                     | 24 V / 160 |
| Precarga / Preload AC / N              | 90                   | 90                            |                     |            |
| Precarga / Preload DC / N              | 10                   | 10                            | 10                  | 10         |
| Tolerancia / Range                     | +/-10%               |                               |                     |            |

### Normativas / Norms

|   |  |   |   |   |   |   |   |   |   |   |
|---|--|---|---|---|---|---|---|---|---|---|
| Compatibilidad electromagnética / Electromagnetic compatibility | Directiva 2014/ 30 / UE                |   |   |   |   |   |   |   |   |   |
| RAEE  | RII AEE 6783                           |   |   |   |   |   |   |   |   |   |
| Directiva de baja tensión / Low voltage directive               | Directiva 2014/ 35 / UE                |   |   |   |   |   |   |   |   |   |
| Sustancias peligrosas / Hazardous substances                    | Directiva 2011/ 65 / UE                |   |   |   |   |   |   |   |   |   |
| Resistencia a la corrosión / Corrosion resistance               | UNE-EN-1670                            |   |   |   |   |   |   |   |   |   |
| Herrajes edificación / Building hardware                        | UNE-EN-14846:2010 / UNE-EN-12209: 2009 |   |   |   |   |   |   |   |   |   |
| DOP. Clasificación / Classification                             | Normal / Fail Secure                   | 3 | X | 2 | 0 | 0 | L | 0 | 0 | 0 |
|   | Inverso / Fail Safe                    | 3 | X | 2 | 0 | 0 | L | 0 | 0 | 1 |