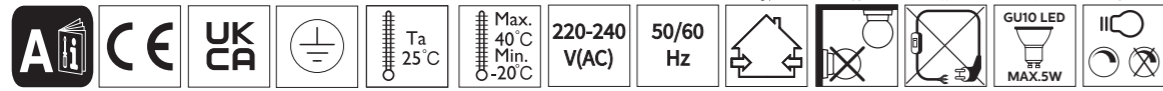
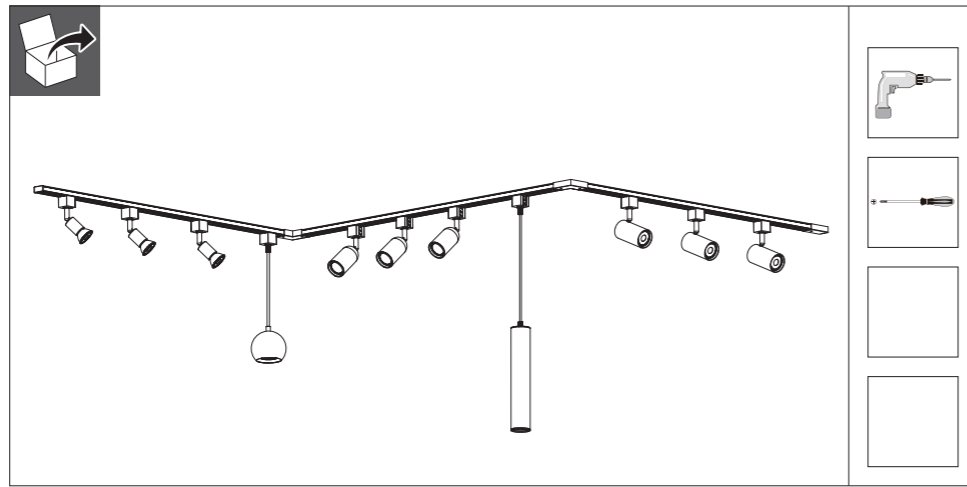


PHILIPS

Track light

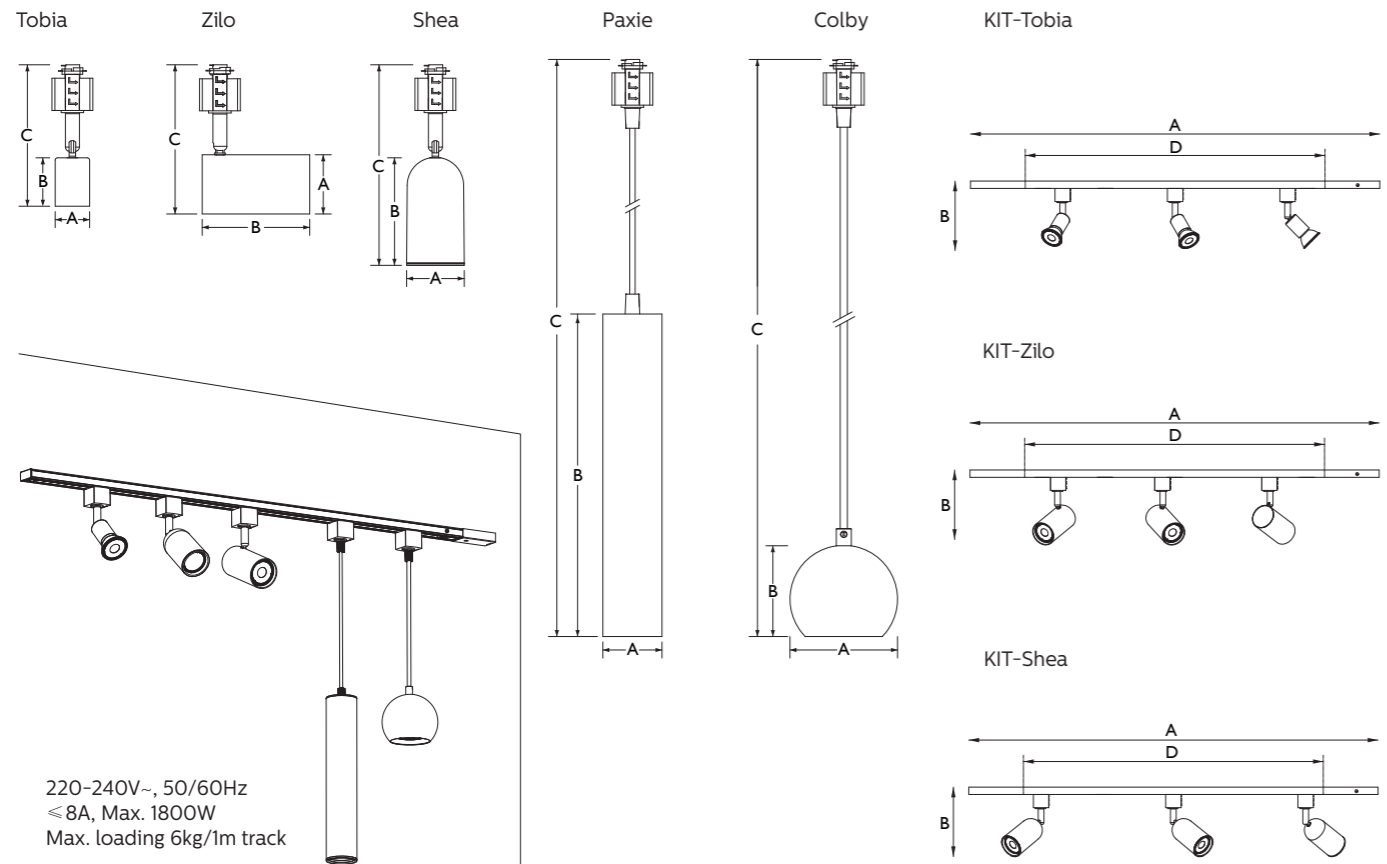
EasyLink HV track light



| Model | Product Description | Tilt angle (°) | Dimension A*B, C(mm) | Weight (kg) |
|------------|------------------------------|----------------|----------------------|-------------|
| 9290047230 | EasyLink Tobia SP 1x5W WH HV | H330°/V80° | Ø35*38, Max.128 | 0.105 |
| 9290047231 | EasyLink Tobia SP 1x5W BL HV | | | |
| 9290047234 | EasyLink Zilo SP 1x5W WH HV | H330°/V80° | Ø55*101, Max.138 | 0.189 |
| 9290047235 | EasyLink Zilo SP 1x5W BL HV | | | |
| 9290047238 | EasyLink Shea SP 1x5W WH HV | H330°/V80° | Ø54*100, Max.185 | 0.140 |
| 9290047239 | EasyLink Shea SP 1x5W BL HV | | | |
| 9290047242 | EasyLink Paxie PD 1x5W WH HV | n/a | Ø55*300, Max.1550 | 0.390 |
| 9290047243 | EasyLink Paxie PD 1x5W BL HV | | | |
| 9290047244 | EasyLink Colby PD 1x5W WH HV | n/a | Ø100*85, Max.1355 | 0.280 |
| 9290047245 | EasyLink Colby PD 1x5W BL HV | | | |

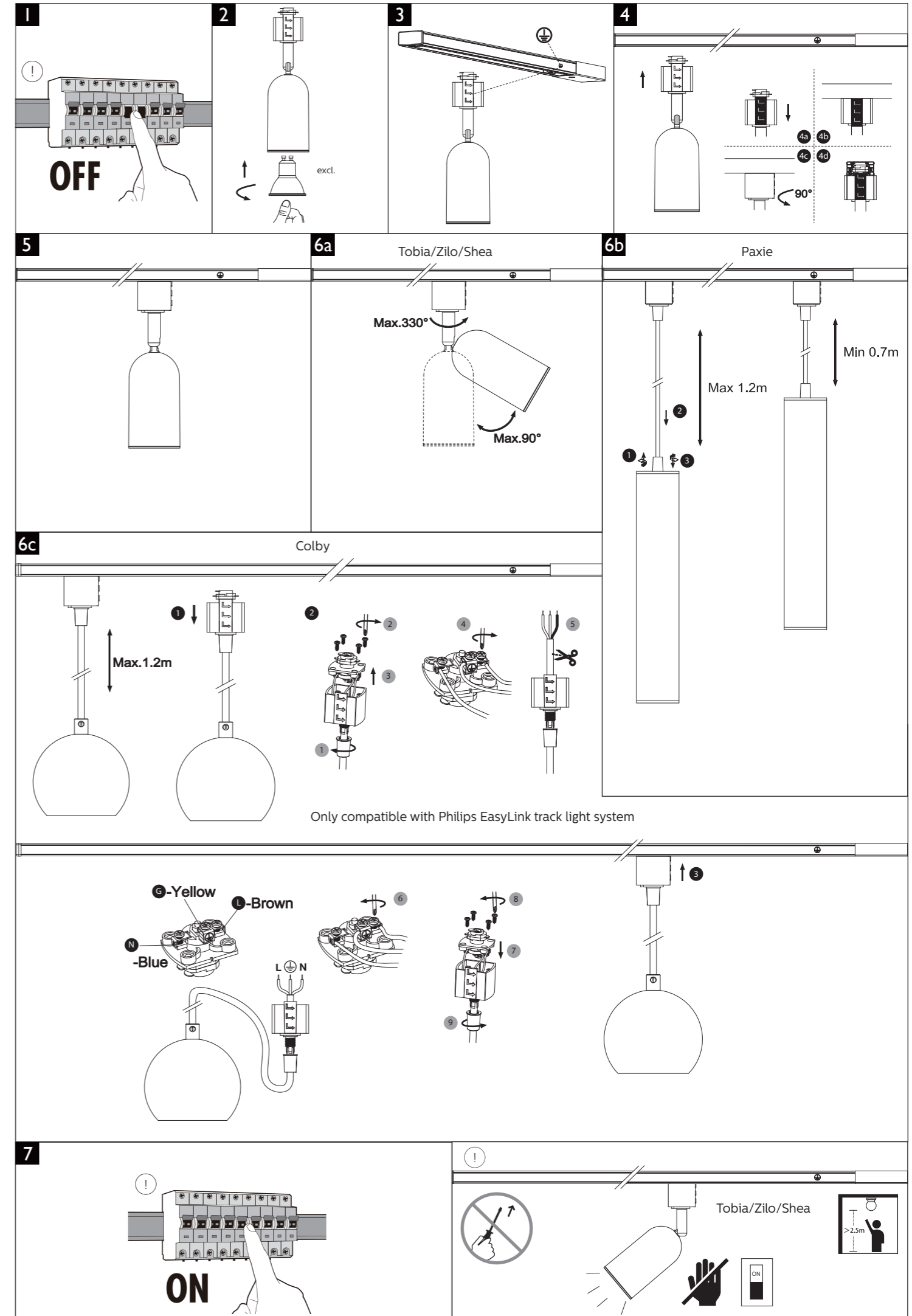
| KIT Model | Product description | Sub-Parts Model | Sub-Parts description | Quantity (pcs) | Dimension A*B(mm) | Mounting Size D(mm) | Weight (kg) |
|------------|----------------------------------|-----------------|------------------------------------|----------------|-------------------|---------------------|-------------|
| 9290047232 | EasyLink Tobia SP 3x5W WH KIT HV | 9290047230 | EasyLink Tobia SP 1x5W WH HV | 3 | 1000*133 | 728±4 | 0.716 |
| | | 9290047254 | EasyLink 1m track WH with power HV | 1 | | | |
| 9290047233 | EasyLink Tobia SP 3x5W BL KIT HV | 9290047231 | EasyLink Tobia SP 1x5W BL HV | 3 | 1000*133 | 728±4 | 0.716 |
| | | 9290047255 | EasyLink 1m track BL with power HV | 1 | | | |
| 9290047236 | EasyLink Zilo SP 3x5W WH KIT HV | 9290047234 | EasyLink Zilo SP 1x5W WH HV | 3 | 1000*143 | 728±4 | 0.968 |
| | | 9290047254 | EasyLink 1m track WH with power HV | 1 | | | |
| 9290047237 | EasyLink Zilo SP 3x5W BL KIT HV | 9290047235 | EasyLink Zilo SP 1x5W BL HV | 3 | 1000*143 | 728±4 | 0.968 |
| | | 9290047255 | EasyLink 1m track BL with power HV | 1 | | | |
| 9290047240 | EasyLink Shea SP 3x5W WH KIT HV | 9290047238 | EasyLink Shea SP 1x5W WH HV | 3 | 1000*190 | 728±4 | 0.821 |
| | | 9290047254 | EasyLink 1m track WH with power HV | 1 | | | |
| 9290047241 | EasyLink Shea SP 3x5W BL KIT HV | 9290047239 | EasyLink Shea SP 1x5W BL HV | 3 | 1000*190 | 728±4 | 0.821 |
| | | 9290047255 | EasyLink 1m track BL with power HV | 1 | | | |

Dimensions



220-240V~, 50/60Hz
 ≤ 8A, Max. 1800W
 Max. loading 6kg/1m track

Installation



OFF

excl.

Tobia/Zilo/Shea

Paxie

Max.330°
 Max.90°

Min 0.7m
 Max 1.2m

Colby

Max.1.2m

Only compatible with Philips EasyLink track light system

G-Yellow
 L-Brown
 N-Blue

L N

7

ON

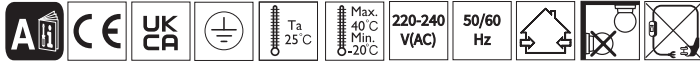
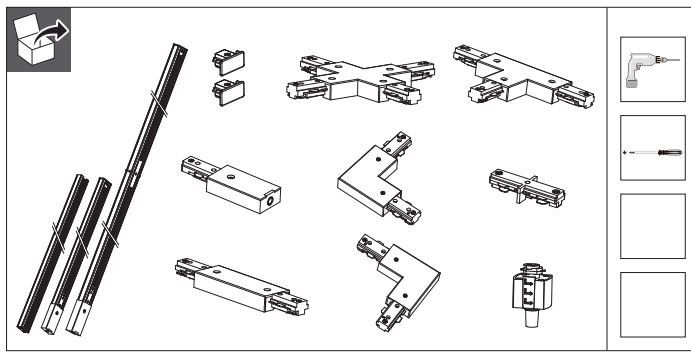
Tobia/Zilo/Shea



PHILIPS

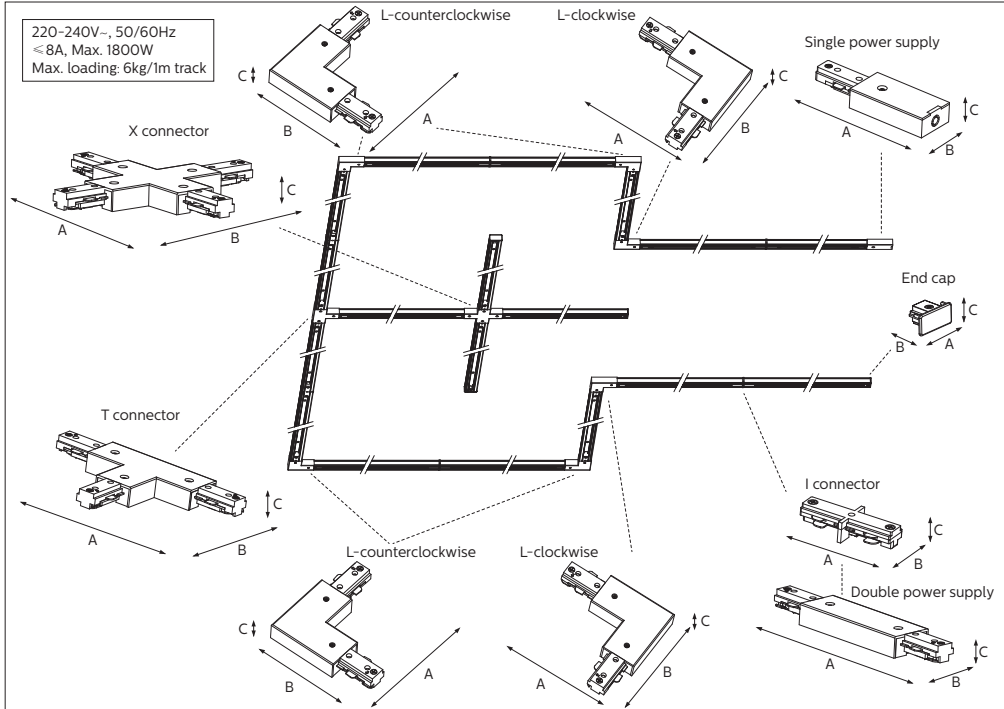
Track light

EasyLink HV track & accessory



| Model | Product Description | Quantity (pcs) | Dimension A*B, C(mm) | Mounting Size D(mm) | Weight (kg) |
|------------|--|----------------|----------------------|----------------------|-------------|
| 9290047252 | EasyLink 1m track extension WH HV | 1 | 1000*33,17 | 800±4 | 0.376 |
| 9290047253 | EasyLink 1m track extension BL HV | 1 | 1000*33,17 | 728±4 | 0.401 |
| 9290047254 | EasyLink 1m track WH with power HV | 1 | 1000*35,17 | 728±4 | 0.401 |
| 9290047255 | EasyLink 1m track BL with power HV | 1 | 1000*35,17 | 728±4 | 0.401 |
| 9290047256 | EasyLink 2m track WH with power HV | 1 | 2003*35,17 | 800+4(D1), 728+4(D2) | 0.804 |
| 9290047257 | EasyLink 2m track BL with power HV | 1 | 2003*35,17 | 800+4(D1), 728+4(D2) | 0.804 |
| 9290047258 | EasyLink end cap 2pk WH | 2 | 35*19,17 | n/a | 0.008 |
| 9290047259 | EasyLink end cap 2pk BL | 2 | 35*19,17 | n/a | 0.008 |
| 9290047260 | EasyLink Single power supply WH HV | 1 | 110*35,17 | n/a | 0.048 |
| 9290047261 | EasyLink Single power supply BL HV | 1 | 110*35,17 | n/a | 0.048 |
| 9290047262 | EasyLink Double power supply WH HV | 1 | 179*36*17 | n/a | 0.088 |
| 9290047263 | EasyLink Double power supply BL HV | 1 | 179*36*17 | n/a | 0.088 |
| 9290047264 | EasyLink X connector WH HV | 1 | 179*179*17 | n/a | 0.161 |
| 9290047265 | EasyLink X connector BL HV | 1 | 179*179*17 | n/a | 0.161 |
| 9290047440 | EasyLink L-clockwise connector WH HV | 1 | 107*107*17 | n/a | 0.086 |
| 9290047441 | EasyLink L-clockwise connector BL HV | 1 | 107*107*17 | n/a | 0.086 |
| 9290047266 | EasyLink L-counterclockwise connector WH | 1 | 107*107*17 | n/a | 0.086 |
| 9290047267 | EasyLink L-counterclockwise connector BL | 1 | 107*107*17 | n/a | 0.086 |
| 9290047268 | EasyLink T connector WH HV | 1 | 179*107*17 | n/a | 0.124 |
| 9290047269 | EasyLink T connector BL HV | 1 | 179*107*17 | n/a | 0.124 |
| 9290047270 | EasyLink I connector WH HV | 1 | 80*34*17 | n/a | 0.026 |
| 9290047271 | EasyLink I connector BL HV | 1 | 80*34*17 | n/a | 0.026 |
| 9290047272 | EasyLink Pendant connector WH HV | 1 | 38*36*64 | n/a | 0.039 |
| 9290047273 | EasyLink Pendant connector BL HV | 1 | 38*36*64 | n/a | 0.039 |

Dimensions (unit: mm)



Installation

