

# FABIO

SMALL SIZE



Half lantern in modern revival style with E27 lampholder, made of shockproof resin material, UV-rays stabilized, rust and corrosion-free. Supplied as optional with TÜV-CB certified, long-life and efficient **LED lamps** suitable for outdoor use. Insulation class II, protection rating IP 55.



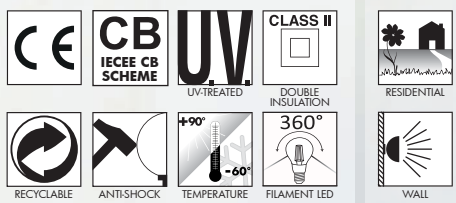
*Mezza lanterna in stile revival moderno con portalampada E27, realizzata in resina antiurto, stabilizzata ai raggi UV, inattaccabile da ruggine e corrosione. Fornita anche completa di lampadine LED adatte ad uso in ambiente esterno, certificate TÜV-CB, di lunga durata ed elevata efficienza. Classe di isolamento II, grado di protezione IP55.*

6,5W 800 lm	8,5W 920 lm	11W 1200 lm	
2700 K	2700 K	4000 K	6500 K
+80°C -30°	90% HUMIDITY	VOLTAGE SURGE RESISTANT	

**INDOOR & OUTDOOR USE**



M20.000.V1K



**FABIO - LANTERN COMPONENTS**

**IP55**  
⚡ ⚠ ⚠



**CAGE** made of shockproof resin material, UV rays stabilized, rust and corrosion-free.

*GABBIA realizzata in resina antiurto, stabilizzata ai raggi UV, inattaccabile da ruggine e corrosione.*

**DIFFUSER** made of UV stabilized polymethylmethacrylate (PMMA) resistant to yellowing process due to sun rays, available in clear or opal color and made of one piece only.

*DIFFUSORE in polimetilmetacrilato (PMMA) resistente al processo di ingiallimento dovuto ai raggi solari, disponibile in colore trasparente od opale e realizzato in un pezzo unico.*

**WALL PLATE** made of shockproof white resin reflective material, UV rays stabilized, rust and corrosion-free. Provided with double cable entry and supplied complete with E27 lampholder.

*BASE A MURO realizzata in resina antiurto in colore bianco riflettente, stabilizzata ai raggi UV, inattaccabile da ruggine e corrosione. Provvista di doppia entrata per il cavo elettrico e fornita completa di portalamпада E27.*



**Dimensions and weight**

Height: 290 mm  
Width: 215 mm  
Depth: 115 mm  
Weight: 0,8 Kg

**Moulded colours:**

Black White  
Grey

**Diffuser PMMA:**

Clear Opal

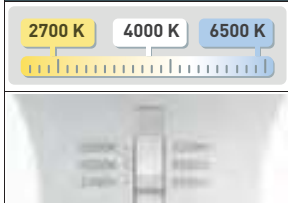
E27 FILAMENT	E27 CCT SET	100 - 240 V	*ADD SUFFIX															
		suitable lamps: CFL-LED max 150 mm ↔	E27 lampholder only .E27															
		<table border="1"> <thead> <tr> <th>LAMP</th> <th>POWER</th> <th>LUMINOUS FLUX UP TO</th> <th>COLOUR TEMP.</th> <th></th> </tr> </thead> <tbody> <tr> <td></td> <td>6,5W</td> <td>800 lm</td> <td>2700 K</td> <td>.F1R</td> </tr> <tr> <td></td> <td>8,5 W</td> <td>920 lm</td> <td>6500 K 4000 K 2700 K</td> <td>.V1K</td> </tr> </tbody> </table>	LAMP	POWER	LUMINOUS FLUX UP TO	COLOUR TEMP.			6,5W	800 lm	2700 K	.F1R		8,5 W	920 lm	6500 K 4000 K 2700 K	.V1K	
LAMP	POWER	LUMINOUS FLUX UP TO	COLOUR TEMP.															
	6,5W	800 lm	2700 K	.F1R														
	8,5 W	920 lm	6500 K 4000 K 2700 K	.V1K														
<ul style="list-style-type: none"> <li>Perfect <b>MATCHING WITH DECORATIVE LANTERNS.</b></li> <li><b>SUITABLE FOR OUTDOOR USE:</b> 100-240V driver.</li> <li><b>360°OMNIDIRECTIONAL LIGHT.</b></li> <li><b>HIGH EFFICIENCY:</b> 90% ENERGY SAVING.</li> </ul>	<ul style="list-style-type: none"> <li><b>A60 CCT SETTABLE:</b> 2700K/4000K/6500K.</li> <li><b>SUITABLE FOR OUTDOOR USE:</b> 100-240V driver.</li> <li><b>EYE COMFORT</b> opal glass.</li> <li><b>HIGH EFFICIENCY:</b> &gt;85% ENERGY SAVING.</li> </ul>	 <p>6,5W filament = 60W incandescent 8,5W CCT</p> <p><b>SAVE up to 89%</b></p>																

**LED LAMPS**

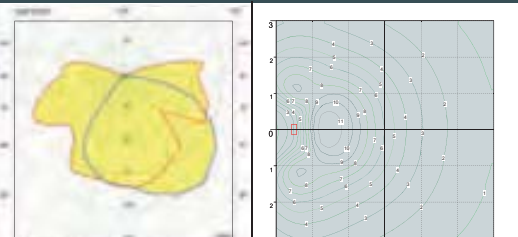


Comply with: EU2019/2015  
EU2019/2020  
Technical details on page 668.

**CCT SETTABLE LED LAMP**



**PHOTOMETRIC DATA SAMPLE**



**FABIO lantern clear with Fumagalli Filament Led Lamp 6,5W.**

height wall mounting: 2mt  
6x6mt area: average 4 lux

*The photometric data for all the versions are available upon request or on our website.*

CCT switch settable in three different positions, to select the desired Kelvin temperature (2700K/4000K/6500K) and get a customized ambiance.

\* ADD THESE SUFFIXES TO THE REFERENCES MENTIONED IN THE CATALOGUE

# HALF LANTERNS

GARDEN REVIVAL



MADE IN ITALY

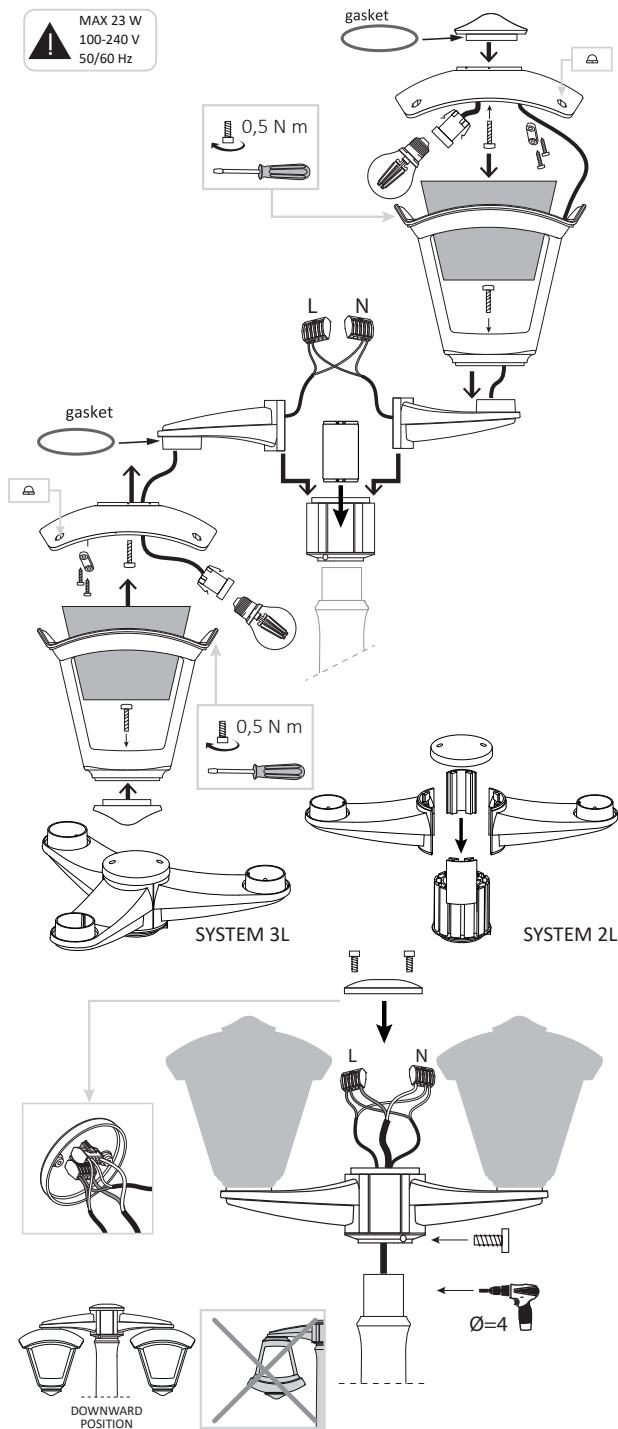


FABIO	
<b>E27</b> lampholder	M20.000.E27
<b>6,5W</b> filament	M20.000.F1R
<b>8,5W</b> CCT set	M20.000.V1K
Pcs 18 Kg 15,4 mc 0,172	

GIULIO	
<b>E27</b> lampholder	M24.000.E27
<b>6,5W</b> filament	M24.000.F1R
<b>8,5W</b> CCT set	M24.000.V1K
<b>11W</b> CCT set	M24.000.T1K
Pcs 12 Kg 13,6 mc 0,20	

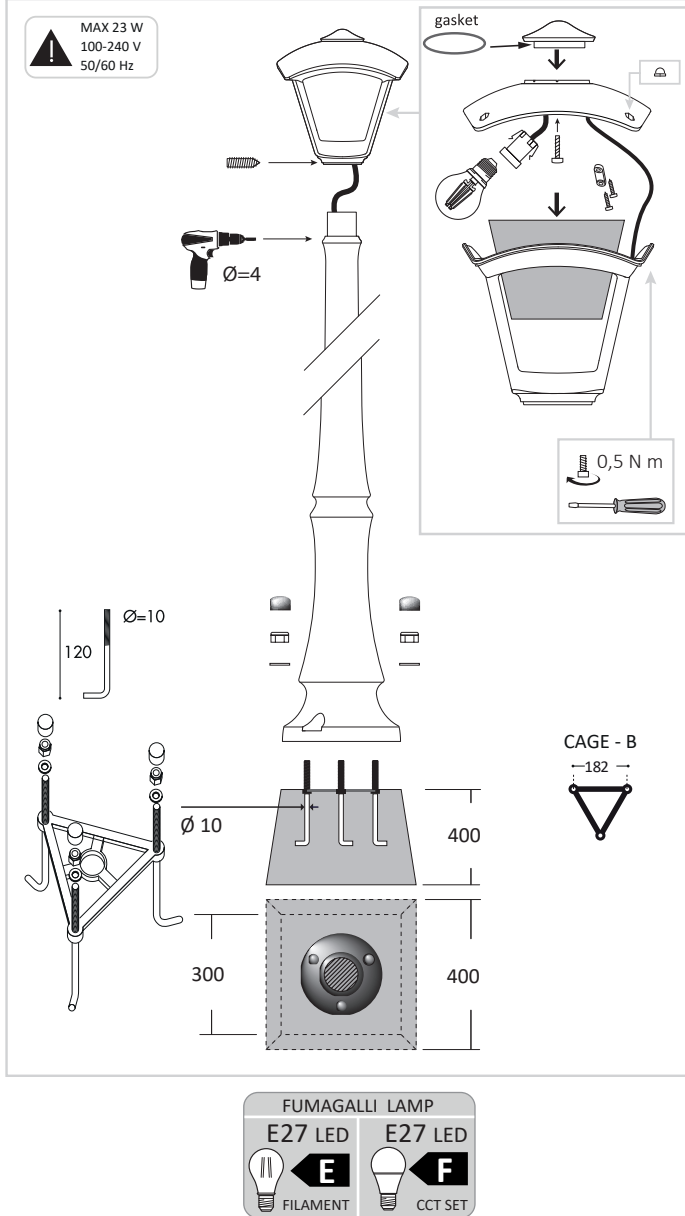
## SYSTEM INSTALLATION

MAX 23 W  
100-240 V  
50/60 Hz



## POST INSTALLATION

MAX 23 W  
100-240 V  
50/60 Hz



[WARRANTY] Fumagalli products are CE marked. Declaration CE of conformity available at [www.fumagalli.it/company](http://www.fumagalli.it/company). The warranty of Fumagalli product is of 1 year. In case of evident manufacturing faults, Fumagalli Srl according to his unquestionable judgement, will proceed to the repair or the replacement. This warranty does not cover any cost neither regarding the transport, nor the uninstallation, nor the re-installation, nor the dismantlement of the material.

[GARANZIA] I prodotti Fumagalli sono marchiati CE. La Dichiarazione CE di conformità è disponibile su [www.fumagalli.it/company](http://www.fumagalli.it/company). I prodotti Fumagalli godono di una garanzia di legge di 1 anno. Nel caso di evidenti difetti di fabbricazione Fumagalli Srl, a suo insindacabile giudizio, procederà alla sua riparazione o sostituzione. In nessun caso l'acquirente potrà reclamare rimborsi o spese sostenute per l'installazione, la disinstallazione, il trasporto o lo smaltimento del materiale.

IST040- 1125

**fumagalli**  
since 1973

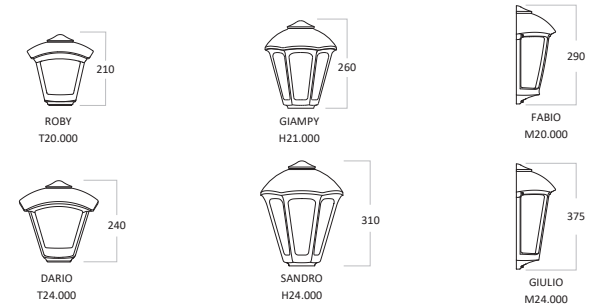
Fumagalli S.r.l.  
Via Ca' Bassa, 59  
21100 Varese - ITALY  
[www.fumagalli.it](http://www.fumagalli.it)



MADE IN ITALY

## SMALL-MEDIUM REVIVAL LANTERN

VERSIONS:  
E27



**UK** CAUTION! Installation and maintenance procedures must be carried out only after switching off the electricity supply. Use energy saving lamps only. If present, fit the gasket properly inside the diffuser, to ensure the IP protection. Fumagalli Srl accepts no responsibility whatsoever for damages caused by incorrect installation, misuse or when used by combining it with non-original spare parts. If in doubt, consult a qualified electrician. Keep the instructions.

**I** ATTENZIONE! L'installazione e la manutenzione dell'apparecchio devono essere eseguite solo dopo aver disinserito l'energia elettrica. Utilizzare solo lampade a basso consumo. Laddove presente, assicurarsi del corretto posizionamento della guarnizione all'interno dell'apparecchio al fine di garantire il grado di protezione IP. Fumagalli Srl non accetta responsabilità per danni causati da incorretta installazione, incorretto uso o dall'utilizzo di parti di ricambio che non appartengono al prodotto originale. Per qualsiasi dubbio, consultare un elettricista qualificato. Conservare le istruzioni.

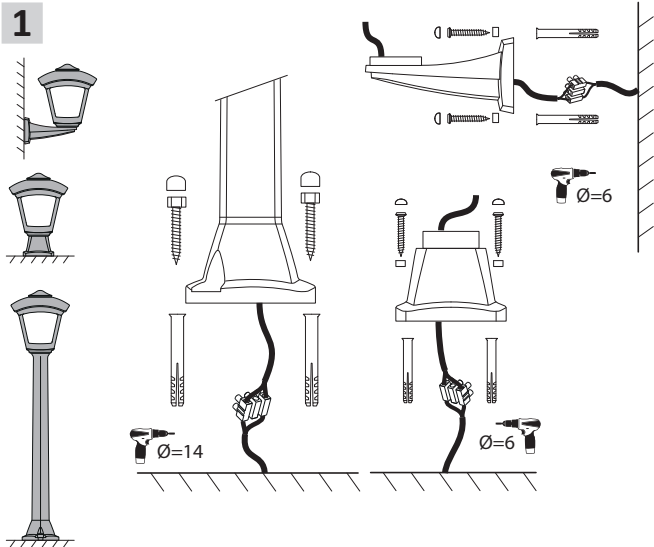
**F** ATTENTION! Les opérations de montage et d'entretien ne doivent être effectués que lorsque le courant électrique est coupé. Utiliser seulement des ampoules à économie d'énergie. Si présent, assurer le positionnement correct de le joint dans l'appareil, afin de garantir le degré de protection IP. Fumagalli Srl n'accepte pas aucun responsabilité pour toutes les dommages causés par une mauvaise installation, par un utilisation incorrecte or par l'utilisation des pièces de rechange qui ne sont pas originales. En cas de doutes, faites appel à un électricien qualifié. Conserver les instructions.

**E** PRECAUCIÓN! Lleve a cabo la instalación y mantenimiento tras cortar la tensión de la instalación eléctrica. Use únicamente lámparas de ahorro. Si se incluye, juste correctamente el aro de goma con el producto para asegurar la protección IP indicada en el producto. En cualquier caso Fumagalli Srl no aceptará responsabilidad alguna por instalación incorrecta, mal uso o por su uso con accesorios no originales del fabricante. En caso de duda consulte con un electricista cualificado. Guarde estas instrucciones.

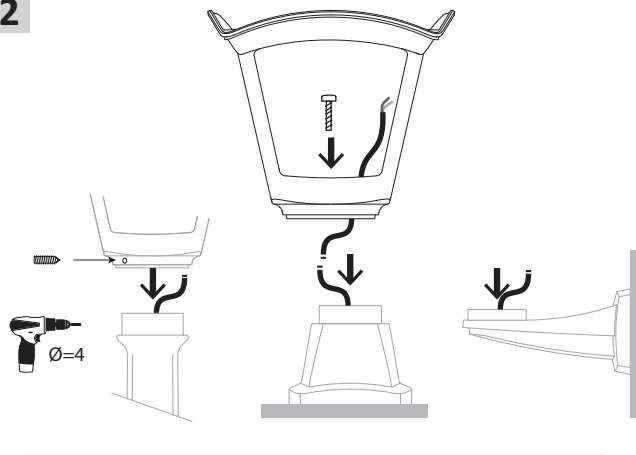
**A** **تحذير!**  
إجراءات التركيب والصيانة يجب تنفيذها إلا بعد إيقاف تشغيل التيار الكهربائي. إذا كان موجوداً قم بتركيب الحشوة كما ينبغي بصورة صحيحة داخل الغطاء المخصص لنشر الضوء بشكل متساوي. لضمان الحماية من تدفق الماء. الشركة المصنعة فوماجالي لا تقبل أي مسؤولية عن الأضرار الناجمة عن التركيب غير الصحيح، سوء الاستخدام، أو عند استخدام قطع غيار غير أصلية عند الجمع. إذا ابتاعك أي شك، قم باستشارة كهربائي مختص بقم بتتبع التعليمات.

### LANTERN UPWARD position

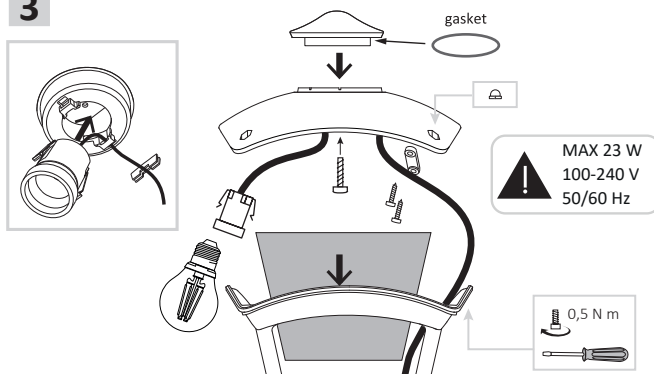
1



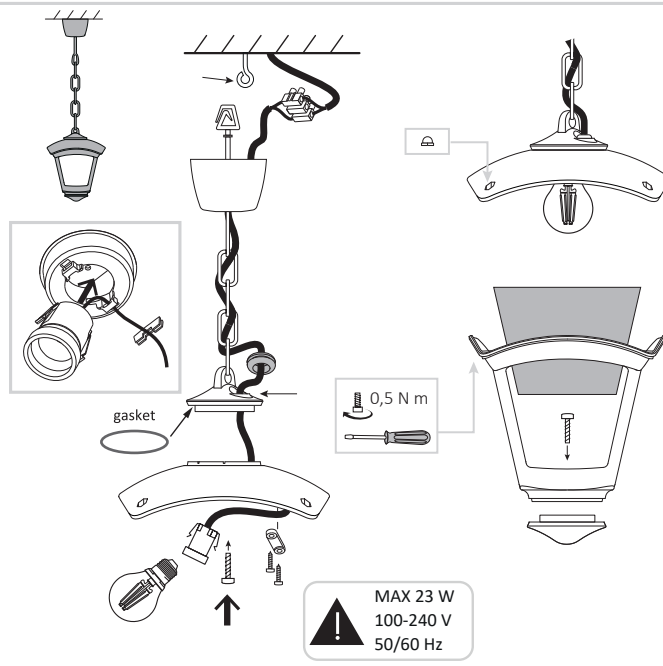
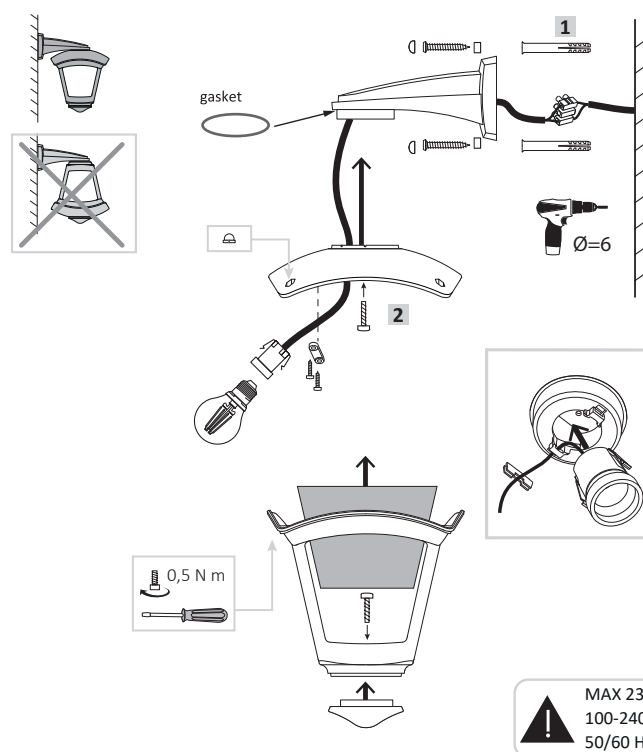
2



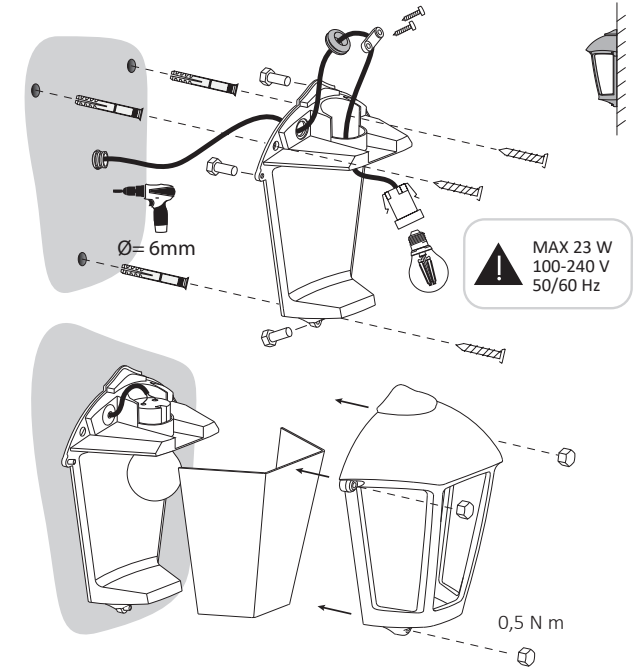
3



### LANTERN DOWNWARD position



### HALF LANTERNS FABIO



### HALF LANTERNS GIULIO

