

## GIULIO

MEDIUM SIZE


 FUMAGALLI  
 since 1973

Half lantern in modern revival style with E27 lampholder, made of shockproof resin material, UV-rays stabilized, rust and corrosion-free. Supplied as optional with TÜV-CB certified, long-life and efficient **LED lamps** suitable for outdoor use. Insulation class II, protection rating IP 55.

GIULIO  
M24.000
 M25.000  
SMART PACK

*Mezza lanterna in stile revival moderno con portalampana E27, realizzata in resina antiurto, stabilizzata ai raggi UV, inattaccabile da ruggine e corrosione. Fornita anche completa di lampadine LED adatte ad uso in ambiente esterno, certificate TÜV-CB, di lunga durata ed elevata efficienza. Classe di isolamento II, grado di protezione IP55.*

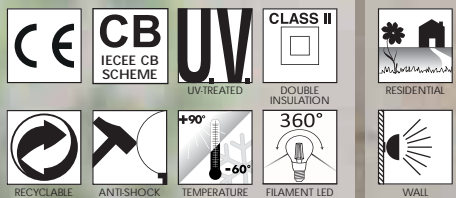


6,5W 800 lm	8,5W 920 lm	11W 1200 lm
2700 K	2700 K	4000 K 6500 K
+80°C -30°	90% HUMIDITY	VOLTAGE SURGE RESISTANT

**INDOOR & OUTDOOR USE**



M24.000.T1K



**GIULIO - LANTERN COMPONENTS**

**IP55**




**CAGE** made of shockproof resin material, UV rays stabilized, rust and corrosion-free.

*GABBIA realizzata in resina antiurto, stabilizzata ai raggi UV, inattaccabile da ruggine e corrosione.*



**DIFFUSER** made of UV stabilized polymethylmethacrylate (PMMA), one piece only closed on the top to ensure high protection against external agents. Available in clear or opal colour.


*DIFFUSORE in polimetilmetacrilato (PMMA), realizzato in un unico pezzo chiuso in cima per garantire un alto livello di protezione contro gli agenti esterni. Disponibile in colore trasparente od opale.*



**WALL PLATE** made of shockproof white resin reflective material, UV rays stabilized, rust and corrosion-free. Provided with double cable entry and supplied complete with E27 lampholder.

*BASE A MURO realizzata in resina antiurto in colore bianco riflettente, stabilizzata ai raggi UV, inattaccabile da ruggine e corrosione. Provvista di doppia entrata per il cavo elettrico e fornita completa di portalampada E27.*













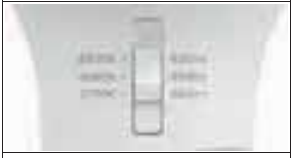
**GIULIO**  
M24.000



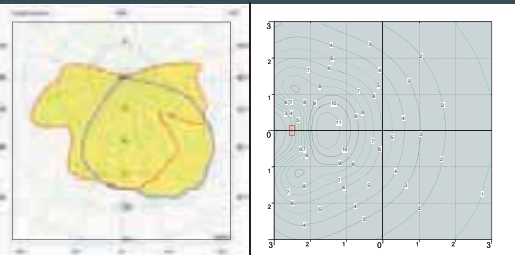
**Dimensions and weight**  
Height: 375 mm  
Width: 265 mm  
Depth: 140 mm  
Weight: 1,1 Kg

**Moulded colours:**  
Black White  
Grey

**Diffuser PMMA:**  
Clear Opal

E27 FILAMENT	E27 CCT SET	100 - 240 V	*ADD. SUFFIX																				
		<p>suitable lamps: CFL-LED max 160 mm</p> <p><b>E27</b> lampholder only</p> <p>.E27</p> <table border="1"> <thead> <tr> <th>LAMP</th> <th>POWER</th> <th>LUMINOUS FLUX UP TO</th> <th>COLOUR TEMP.</th> <th></th> </tr> </thead> <tbody> <tr> <td></td> <td><b>6,5W</b></td> <td><b>800 lm</b></td> <td><b>2700 K</b></td> <td>.F1R</td> </tr> <tr> <td></td> <td><b>8,5 W</b></td> <td><b>920 lm</b></td> <td>6500 K 4000 K 2700 K</td> <td>.V1K</td> </tr> <tr> <td></td> <td><b>11 W</b></td> <td><b>1200 lm</b></td> <td>6500 K 4000 K 2700 K</td> <td>.T1K</td> </tr> </tbody> </table>	LAMP	POWER	LUMINOUS FLUX UP TO	COLOUR TEMP.			<b>6,5W</b>	<b>800 lm</b>	<b>2700 K</b>	.F1R		<b>8,5 W</b>	<b>920 lm</b>	6500 K 4000 K 2700 K	.V1K		<b>11 W</b>	<b>1200 lm</b>	6500 K 4000 K 2700 K	.T1K	 <p>Comply with: EU2019/2015 EU2019/2020 Technical details on page 668.</p>
LAMP	POWER	LUMINOUS FLUX UP TO	COLOUR TEMP.																				
	<b>6,5W</b>	<b>800 lm</b>	<b>2700 K</b>	.F1R																			
	<b>8,5 W</b>	<b>920 lm</b>	6500 K 4000 K 2700 K	.V1K																			
	<b>11 W</b>	<b>1200 lm</b>	6500 K 4000 K 2700 K	.T1K																			
<ul style="list-style-type: none"> <li>perfect <b>MATCHING WITH DECORATIVE LANTERNS.</b></li> <li><b>SUITABLE FOR OUTDOOR USE:</b> 100-240V driver.</li> <li><b>360°OMNIDIRECTIONAL LIGHT.</b></li> <li><b>HIGH EFFICIENCY:</b> 90% ENERGY SAVING.</li> </ul>	<ul style="list-style-type: none"> <li><b>A60 CCT SETTABLE:</b> 2700K/4000K/6500K.</li> <li><b>SUITABLE FOR OUTDOOR USE:</b> 100-240V driver.</li> <li><b>EYE COMFORT</b> opal glass.</li> <li><b>HIGH EFFICIENCY:</b> &gt;85% ENERGY SAVING.</li> </ul>	<p>6,5W filament = 60W incandescent</p> <p>8,5W CCT = 75W incandescent</p> <p>11W CCT = 75W incandescent</p> <p><b>SAVE up to 89%</b></p>	<p><b>CCT SETTABLE LED LAMP</b></p> <p>2700 K 4000 K 6500 K</p> 																				

**PHOTOMETRIC DATA SAMPLE**



**GIULIO lantern clear with Fumagalli Filament Led Lamp 6,5W.**

height wall mounting: 2mt  
6x6mt area: average 4 lux

The photometric data for all the versions are available upon request or on our website.

**LED LAMPS**

Comply with: EU2019/2015  
EU2019/2020  
Technical details on page 668.

**CCT SETTABLE LED LAMP**

2700 K 4000 K 6500 K

CCT switch settable in three different positions, to select the desired Kelvin temperature (2700K/4000K/6500K) and get a customized ambiance.

\* ADD THESE SUFFIXES TO THE REFERENCES MENTIONED IN THE CATALOGUE

# HALF LANTERNS

GARDEN REVIVAL





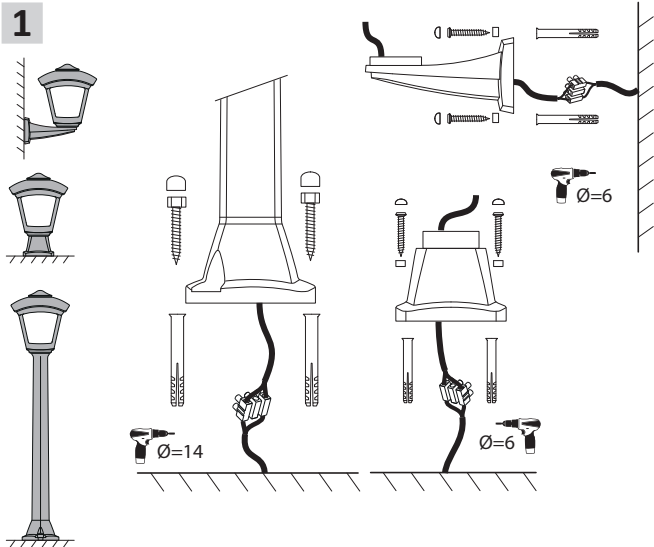
FABIO	
E27 lampholder	M20.000.E27
6,5W filament	M20.000.F1R
8,5W CCT set	M20.000.V1K
Pcs 18 Kg 15,4 mc 0,172	

GIULIO	
E27 lampholder	M24.000.E27
6,5W filament	M24.000.F1R
8,5W CCT set	M24.000.V1K
11W CCT set	M24.000.T1K
Pcs 12 Kg 13,6 mc 0,20	

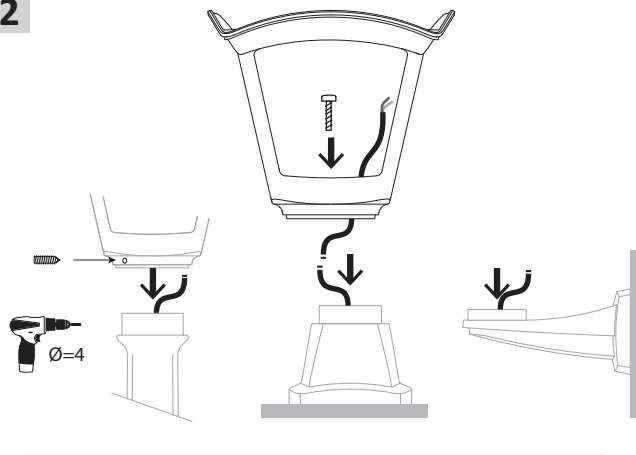


### LANTERN UPWARD position

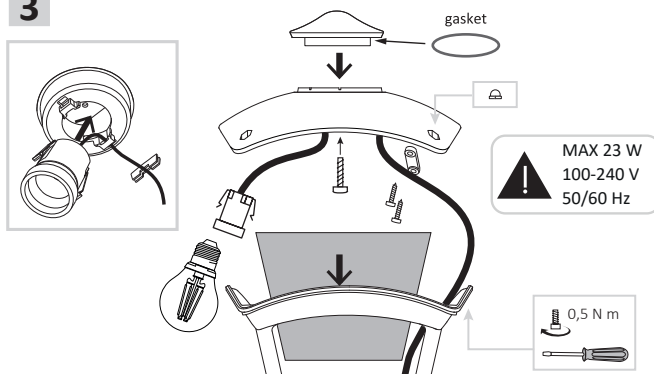
1



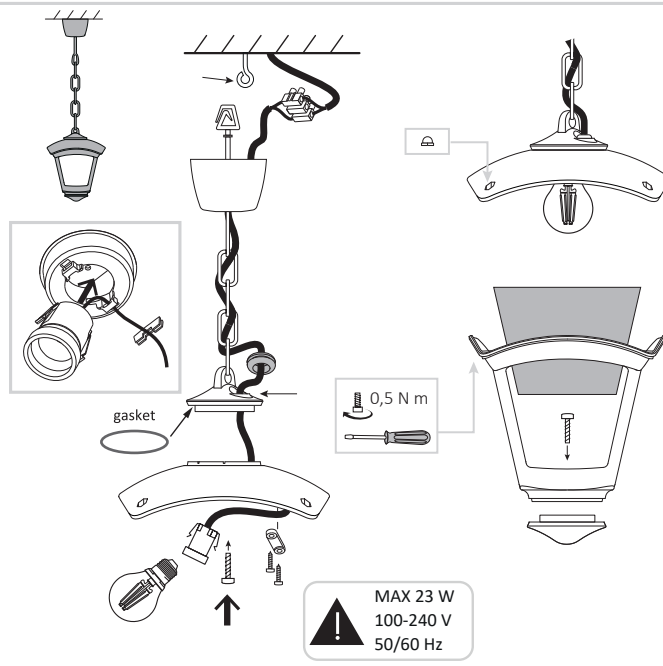
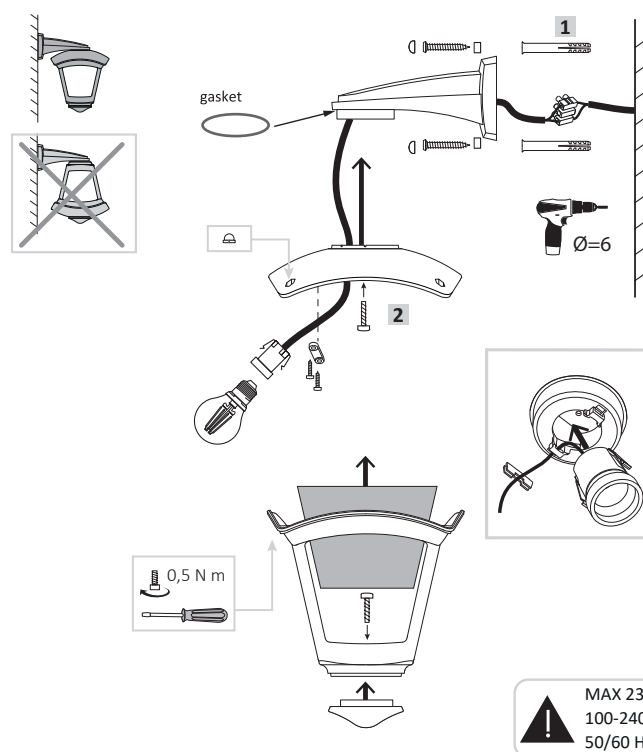
2



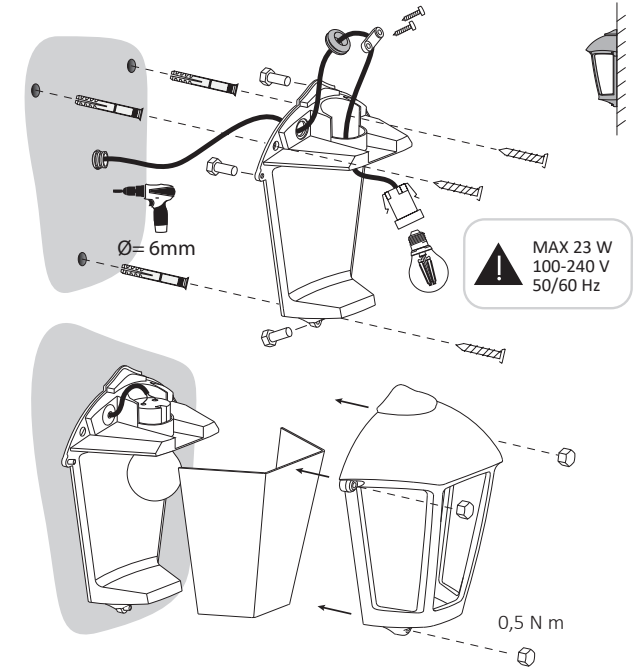
3



### LANTERN DOWNWARD position



### HALF LANTERNS FABIO



### HALF LANTERNS GIULIO

