

GARDEN REVIVAL
GARDEN CLASSIC
BOLLARD
UP&DOWN
DOWNLIGHT
IN-GROUND
BRICKLIGHT
FLOODLIGHT
BULKHEAD
SOLAR
URBAN CLASSIC
URBAN REVIVAL
URBAN MODERN
POST
LAMPS

IESSE

SMALL SIZE



Half lantern in classic style with E27 lampholder, made of shockproof resin material, UV-rays stabilized, rust and corrosion-free. Supplied as optional with TÜV-CB certified, long-life and efficient **LED lamps** suitable for outdoor use. Insulation class II, protection rating IP 55.



*Mezza lanterna in stile classico con portalampada E27, realizzata in resina antiurto, stabilizzata ai raggi UV, inattaccabile da ruggine e corrosione. Fornita anche completa di **lampadine LED** adatte ad uso in ambiente esterno, certificate TÜV-CB, di lunga durata ed elevata efficienza. Classe di isolamento II, grado di protezione IP55.*

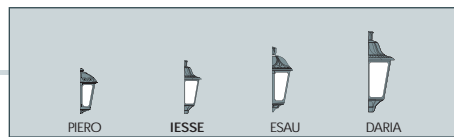
6,5W 800 lm	8,5W 920 lm	11W 1200 lm
2700 K	2700 K	4000 K 6500 K
+80°C -30°	90% HUMIDITY	VOLTAGE SURGE RESISTANT
INDOOR & OUTDOOR USE		



M22.000.F1R

RECYCLABLE	ANTI-SHOCK	TEMPERATURE	FILAMENT LED	WALL





IESSE - LANTERN COMPONENTS

IP55



CAGE made of shockproof resin material, UV rays stabilized, rust and corrosion-free.

GABBIA realizzata in resina antiurto, stabilizzata ai raggi UV, inattaccabile da ruggine e corrosione.

DIFFUSER made of UV stabilized polymethylmethacrylate (PMMA) resistant to yellowing process due to sun rays, available in clear or opal color and made of one piece only.

DIFFUSORE in polimetilmetacrilato (PMMA) resistente al processo di ingiallimento dovuto ai raggi solari, disponibile in colore trasparente od opale e realizzato in un pezzo unico.

WALL PLATE made of shockproof white resin reflective material, UV rays stabilized, rust and corrosion-free. Supplied complete with E27 lampholder.

BASE A MURO realizzata in resina antiurto in colore bianco riflettente, stabilizzata ai raggi UV, inattaccabile da ruggine e corrosione. Fornita completa di portalampada E27.

IESSE

M22.000



Dimensions and weight

Height: 355 mm
Width: 220 mm
Depth: 110 mm
Weight: 0,8 Kg

Moulded colours:

Black White

Painted colours:

Antique green Antique bronze

Diffuser PMMA:

Clear Opal

E27 FILAMENT



E27 CCT SET





100 - 240 V



*ADD SUFFIX

suitable lamps:
CFL-LED
max 160 mm

E27
lampholder only

.E27

LAMP	POWER	LUMINOUS FLUX UP TO	COLOUR TEMP.	
 FILAMENT LED E27	6,5W	800 lm	2700 K	.F1R
 CCT SET LED E27	8,5 W	920 lm	6500 K 4000 K 2700 K	.V1K

 **6,5W filament** = **60W** incandescent
 **8,5W CCT**

SAVE up to 89%

- Perfect **MATCHING WITH DECORATIVE LANTERNS.**
- **SUITABLE FOR OUTDOOR USE:** 100-240V driver.
- **360°OMNIDIRECTIONAL LIGHT.**
- **HIGH EFFICIENCY: 90% ENERGY SAVING.**

- **A60 CCT SETTABLE:** 2700K/4000K/6500K.
- **SUITABLE FOR OUTDOOR USE:** 100-240V driver.
- **EYE COMFORT** opal glass.
- **HIGH EFFICIENCY:** >85% ENERGY SAVING.

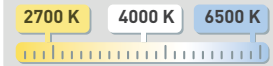
LED LAMPS



LVD EMC ERP

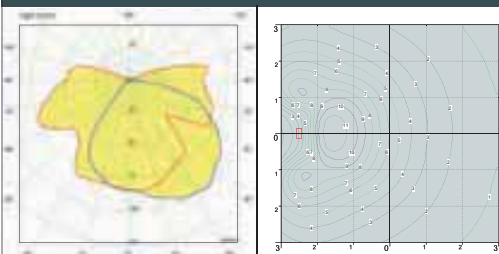
Comply with:EU2019/2015
EU2019/2020
Technical details on page 668.

CCT SETTABLE LED LAMP



CCT switch settable in three different positions, to select the desired Kelvin temperature (2700K/4000K/6500K) and get a customized ambiance.

PHOTOMETRIC DATA SAMPLE



IESSE lantern clear with Fumagalli Filament Led Lamp 6,5W.

*height wall mounting: 2mt
6x6mt area: average 4 lux*

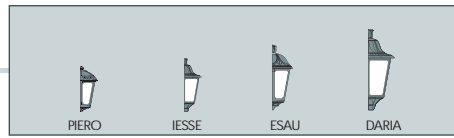
The photometric data for all the versions are available upon request or on our website.

* ADD THESE SUFFIXES TO THE REFERENCES MENTIONED IN THE CATALOGUE

HALF LANTERNS

GARDEN CLASSIC





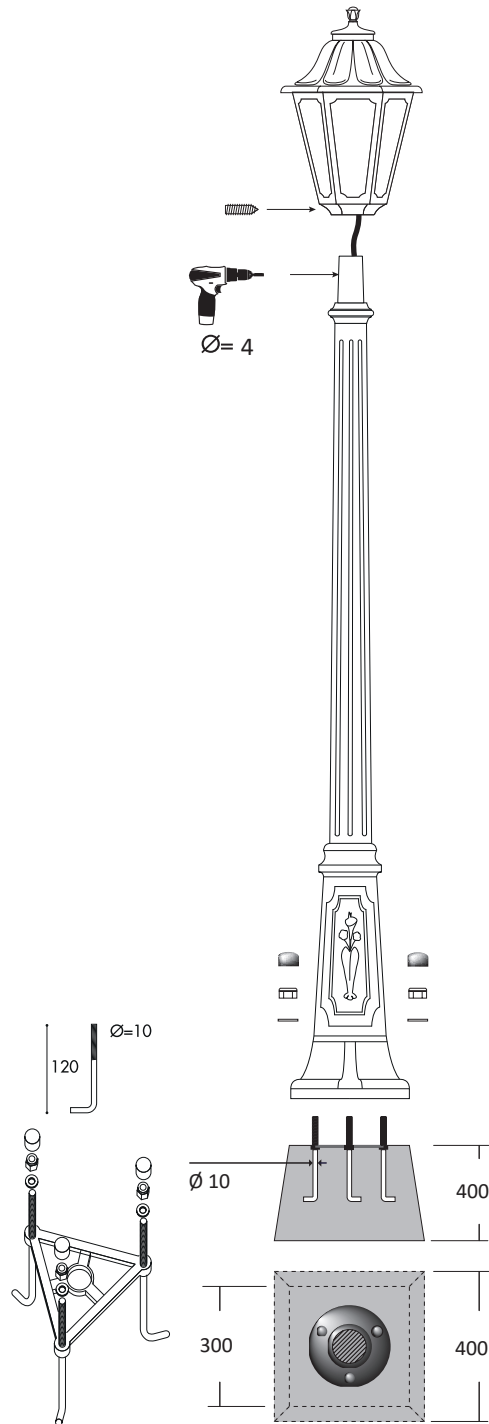
PIERO	
E27	M18.000.E27
6,5W filament	M18.000.F1R
8,5W CCT set	M18.000.V1K
Pcs 18 Kg 15,4 mc 0,172	

IESSE	
E27	M22.000.E27
6,5W filament	M22.000.F1R
8,5W CCT set	M22.000.V1K
Pcs 16 Kg 14 mc 0,224	

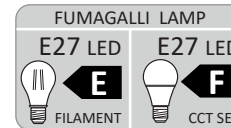
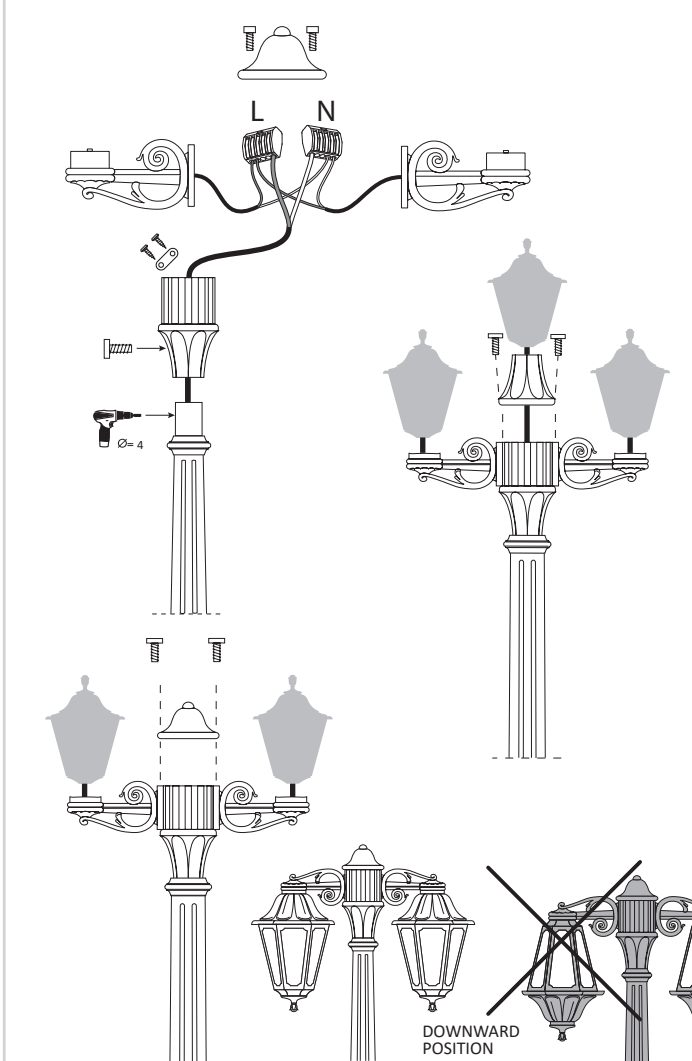
ESAU	
E27	M26.000.E27
6,5W filament	M26.000.F1R
8,5W CCT set	M26.000.V1K
11W CCT set	M26.000.T1K
Pcs 10 Kg 13,12 mc 0,20	

DARIA	
E27	M28.000.E27
6,5W filament	M28.000.F1R
11W CCT set	M28.000.T1K
Pcs 1 Kg 2,3 mc 0,03	

POST INSTALLATION



SYSTEM INSTALLATION



[WARRANTY] Fumagalli products are CE marked. Declaration CE of conformity available at www.fumagalli.it/company. The warranty of Fumagalli product is of 1 year. In case of evident manufacturing faults, Fumagalli Srl according to his unquestionable judgement, will proceed to the repair or the replacement. This warranty does not cover any cost neither regarding the transport, nor the uninstallation, nor the re-installation, nor the dismantlement of the material.

[GARANZIA] I prodotti Fumagalli sono marchiati CE. La Dichiarazione CE di conformità è disponibile su www.fumagalli.it/company. I prodotti Fumagalli godono di una garanzia di legge di 1 anno. Nel caso di evidenti difetti di fabbricazione Fumagalli Srl, a suo insindacabile giudizio, procederà alla sua riparazione o sostituzione. In nessun caso l'acquirente potrà reclamare rimborsi o spese sostenute per l'installazione, la disinstallazione, il trasporto o lo smaltimento del materiale.

IST001-1125



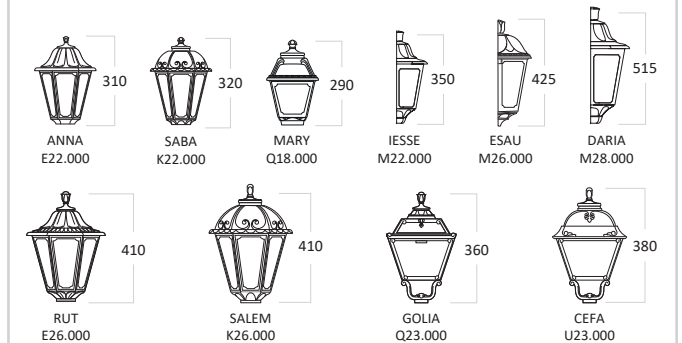
Fumagalli S.r.l.
Via Ca' Bassa, 59
21100 Varese - ITALY
www.fumagalli.it



MADE IN ITALY

SMALL-MEDIUM CLASSIC LANTERN

VERSIONS:
E27



CAUTION! Installation and maintenance procedures must be carried out only after switching off the electricity supply. Fumagalli Srl accepts no responsibility whatsoever for damages caused by incorrect installation, misuse or when used by combining it with non-original spare parts. If in doubt, consult a qualified electrician. Keep the instructions.

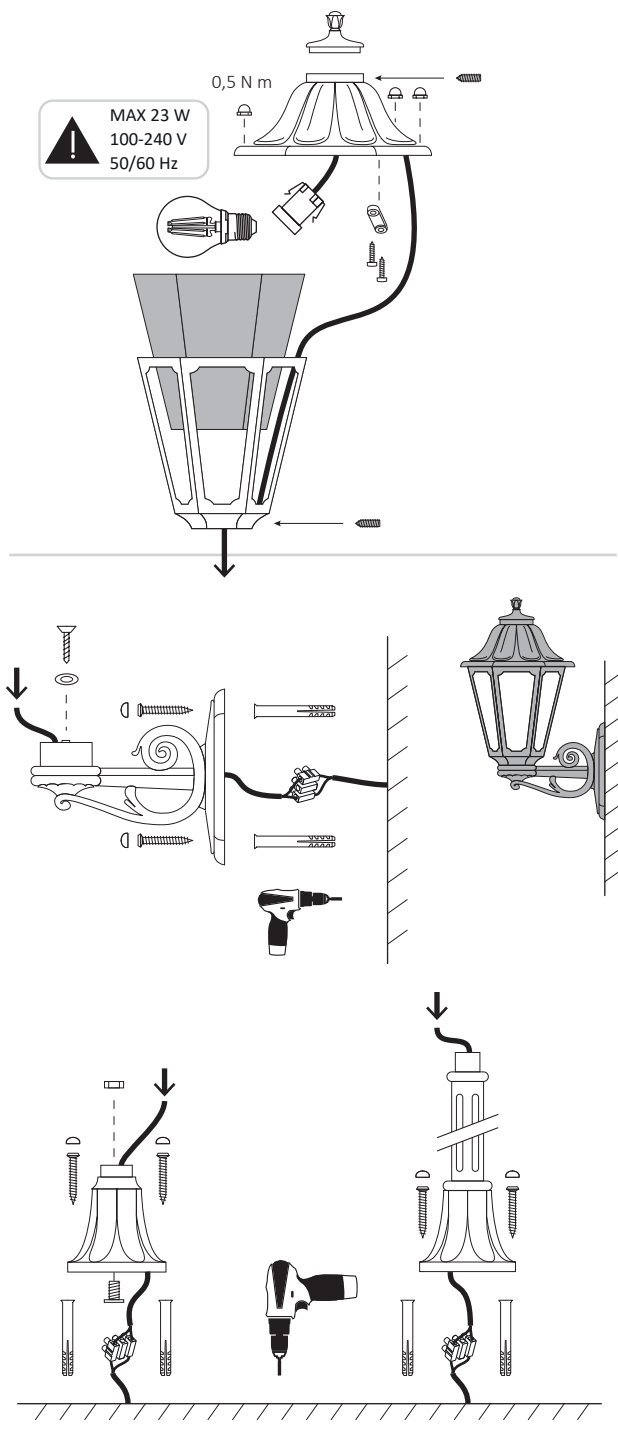
ATTENZIONE! L'installazione e la manutenzione dell'apparecchio devono essere eseguite solo dopo aver disinserito l'energia elettrica. Fumagalli Srl non accetta responsabilità per danni causati da incorretta installazione, incorretto uso o dall'utilizzo di parti di ricambio che non appartengono al prodotto originale. Per qualsiasi dubbio, consultare un elettricista qualificato. Conservare le istruzioni.

ATTENTION! Les opérations de montage et d'entretien ne doivent être effectués que lorsque le courant électrique est coupé. Fumagalli Srl n'accepte pas aucun responsabilité pour toutes les dommages causés par une mauvaise installation, par un' utilisation incorrecte or par l'utilisation des pièces de rechange qui ne sont pas originales. En cas de doutes, faites appel à un électricien qualifié. Conserver les instructions.

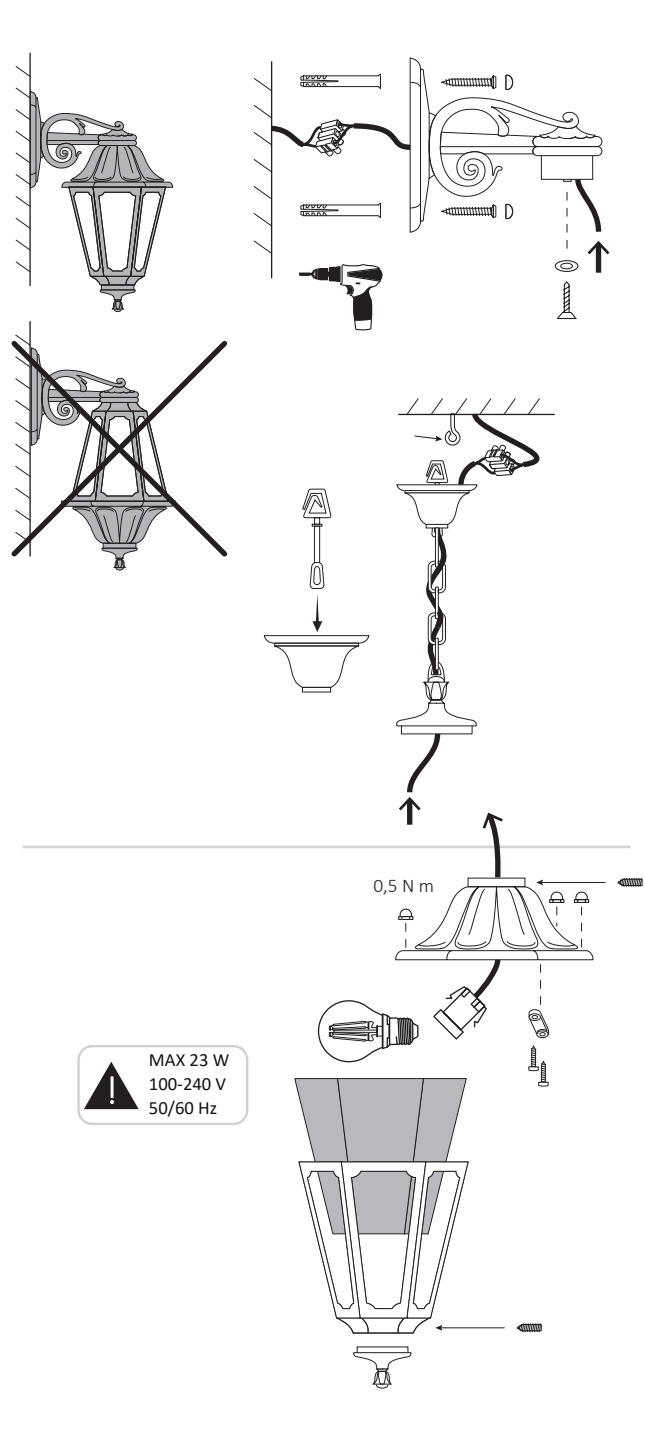
PRECAUCIÓN! Lleve a cabo la instalación y mantenimiento tras cortar la tensión de la instalación eléctrica. En cualquier caso Fumagalli Srl no aceptará responsabilidad alguna por instalación incorrecta, mal uso o por su uso con accesorios no originales del fabricante. En caso de duda consulte con un electricista cualificado. Guarde estas instrucciones.

تحذير! إجراءات التركيب والصيانة يجب تنفيذها إلا بعد إيقاف تشغيل التيار الكهربائي. الشركة المصنعة فوماجالي لا تقبل أي مسؤولية عن الأضرار الناجمة عن التركيب غير الصحيح, سوء الاستخدام, أو عند استخدام قطع غير أصلية عند الجمع. إذا إنتابك أي شك, قم باستشارة كهربائي مختص, قم بتتبع التعليمات.

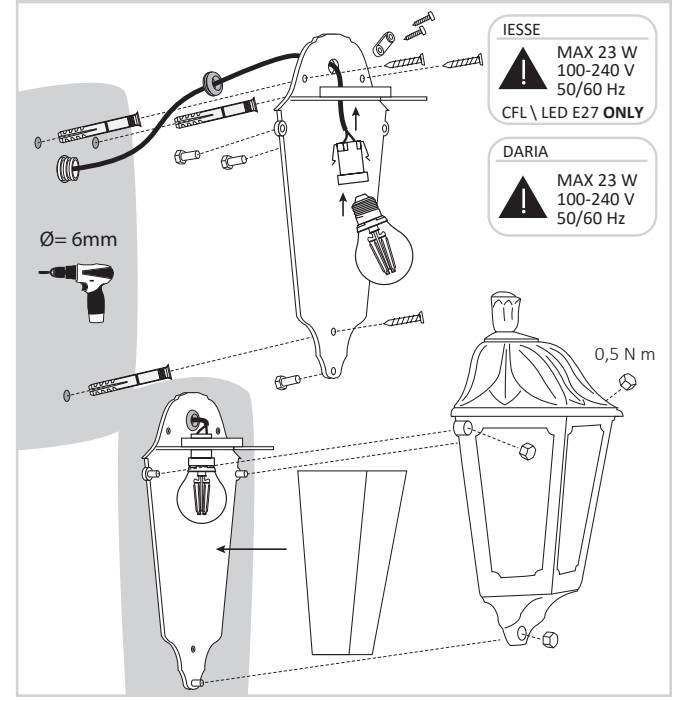
LANTERN UPWARD position



LANTERN DOWNWARD position



HALF LANTERN IESSE - DARIA



HALF LANTERN ESAU

