

# GIAMPY

SMALL SIZE

**fumagalli**  
since 1973

E27 hexagonal lantern in modern revival style, made of shockproof resin material, UV-rays stabilized, rust and corrosion-free. Modular construction suitable for post top, hanging and wall installation. Supplied as optional with TÜV-CB certified, long-life and efficient **LED lamps** suitable for outdoor use. Insulation class II, protection rating IP55.

*Lanterna esagonale E27 in stile revival moderno, realizzata in resina antiurto, stabilizzata ai raggi UV, inattaccabile da ruggine e corrosione. Idonea per il montaggio a palo, a sospensione o a parete. Fornita anche completa di lampadine LED adatte ad uso in ambiente esterno, certificate TÜV-CB, di lunga durata ed elevata efficienza. Classe di isolamento II, grado di protezione IP55.*

6,5W 800 lm	8,5W 920 lm	11W 1200 lm
2700 K	2700 K	4000 K 6500 K
+80°C -30°	90% HUMIDITY	VOLTAGE SURGE RESISTANT

**INDOOR & OUTDOOR USE**



Discover the collection



H21.114.V1K

MADE IN ITALY



**GIAMPY - LANTERN COMPONENTS**

IP55



Decorative **PINNACLE** provided with silicone rubber gasket to be mounted on the roof top for post installation or on the lantern base for hanging installation.

***PINNACOLO** decorativo completo di guarnizione in gomma siliconica applicabile alla sommità del tetto (montaggio a palo) o sulla base della gabbia (montaggio a sospensione).*

Lantern **ROOF** made of shockproof resin material, UV rays stabilized and supplied with E27 lampholder. Easy opening for relamping and maintenance.

***TETTO** realizzato in resina antiurto, stabilizzata ai raggi UV, fornito completo di portalamпада E27. Facilmente rimovibile per manutenzione e cambio lampadina.*

**DIFFUSER** made of UV stabilized polymethylmethacrylate (PMMA) resistant to yellowing process due to sun rays, available in clear or opal color and provided with recess for power cable supply. Made of one piece only and closed at the bottom to ensure high protection against external agents (IP 55).

***DIFFUSORE** in polimetilmetacrilato (PMMA) resistente al processo di ingiallimento dovuto ai raggi solari, disponibile in colore trasparente od opale e provvisto di scanalatura per il passaggio del cavo di alimentazione. Realizzato in un pezzo unico e con fondo chiuso per garantire un alto livello di protezione contro gli agenti esterni (IP 55).*

**CAGE** made of shockproof resin material, UV-rays stabilized, rust and corrosion-free.

***GABBIA** realizzata in resina antiurto, stabilizzata ai raggi UV, inattaccabile da ruggine e corrosione.*



**Dimensions and weight**

Height: 260 mm  
Width: 210 mm  
Depth: 200 mm  
Weight: 0,85 Kg

**Moulded colours:**

Black White  
Grey

**Diffuser PMMA:**

Clear Opal

**E27 FILAMENT**

**E27 CCT SET**

**100 - 240 V**

\*ADD. SUFFIX



suitable lamps:  
CFL-LED  
max 150 mm

**E27**  
lampholder only

.E27

LAMP	POWER	LUMINOUS FLUX UP TO	COLOUR TEMP.	
FILAMENT LED E27	6,5W	800 lm	2700 K	.F1R
CCT SET LED E27	8,5 W	920 lm	6500 K 4000 K 2700 K	.V1K

6,5W filament = 60W incandescent

8,5W CCT

**SAVE up to 89%**

- perfect **MATCHING WITH DECORATIVE LANTERNS.**
- **SUITABLE FOR OUTDOOR USE:** 100-240V driver.
- **360°OMNIDIRECTIONAL LIGHT.**
- **HIGH EFFICIENCY:** 90% ENERGY SAVING.

- **A60 CCT SETTABLE:** 2700K/4000K/6500K.
- **SUITABLE FOR OUTDOOR USE:** 100-240V driver.
- **EYE COMFORT** opal glass.
- **HIGH EFFICIENCY:** >85% ENERGY SAVING.

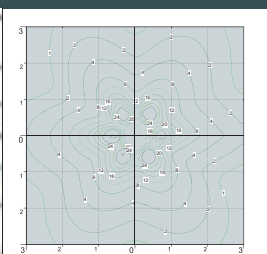
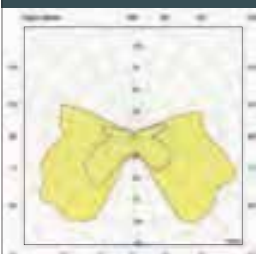
**LED LAMPS**

Comply with: EU2019/2015  
EU2019/2020  
Technical details on page 668.

**CCT SETTABLE LED LAMP**

2700 K 4000 K 6500 K

**PHOTOMETRIC DATA SAMPLE**



**GIAMPY lantern clear with Fumagalli Filament Led Lamp 6,5W.**

POST height 1mt  
6x6mt area: average 6 lux

*The photometric data for all the versions are available upon request or on our website.*

CCT switch settable in three different positions, to select the desired Kelvin temperature (2700K/4000K/6500K) and get a customized ambiance.

\* ADD THESE SUFFIXES TO THE REFERENCES MENTIONED IN THE CATALOGUE

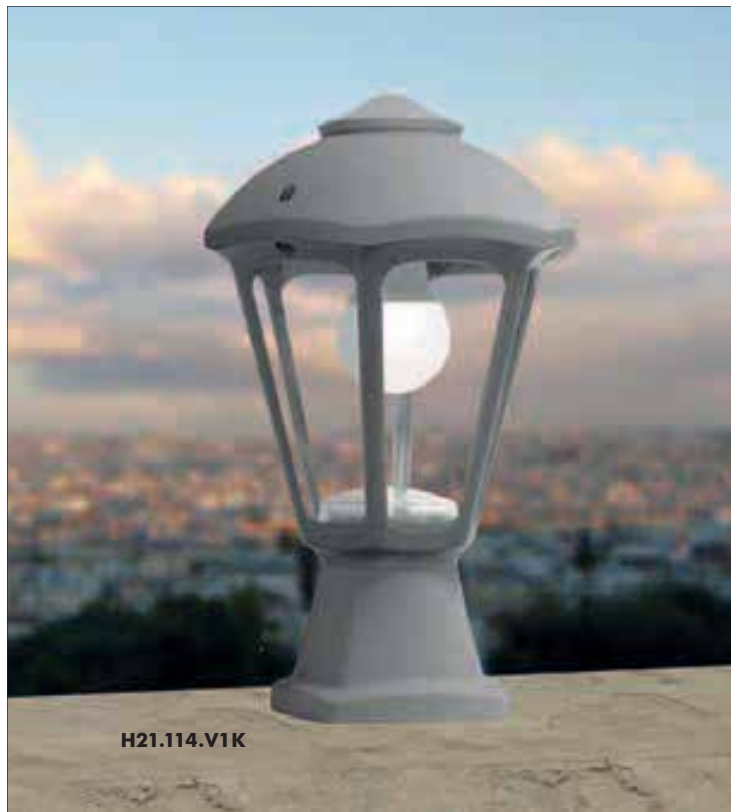
LAMPS POST URBAN MODERN URBAN REVIVAL URBAN CLASSIC SOLAR BULKHEAD FLOODLIGHT BRICKLIGHT IN-GROUND DOWNLIGHT UP&DOWN BOLLARD GARDEN CLASSIC GARDEN REVIVAL

# GIAMPY

SMALL SIZE



H21.240.V1K



H21.114.V1K



H21.242.F1R



H21.125.V1K





**NARDO/GIAMPY**

<b>E27</b> lampholder	H21.240.E27
<b>6,5W</b> filament	H21.240.F1R
<b>8,5W</b> CCT set	H21.240.V1K

Pcs 18  
Kg 18,3  
mc 0,207

**SICAR/GIAMPY**

<b>E27</b> lampholder	H21.125.E27
<b>6,5W</b> filament	H21.125.F1R
<b>8,5W</b> CCT set	H21.125.V1K

Pcs 18  
Kg 21,1  
mc 0,207

**GIAMPY**

H21.000

Pcs 1  
Kg 0,8  
mc 0,011

**DISMA/GIAMPY**

<b>E27</b> lampholder	H21.114.E27
<b>6,5W</b> filament	H21.114.F1R
<b>8,5W</b> CCT set	H21.114.V1K

Pcs 18  
Kg 17,5  
mc 0,207

**GIAFFA/GIAMPY resin**

<b>E27</b> lampholder	H21.242.E27
<b>6,5W</b> filament	H21.242.F1R
<b>8,5W</b> CCT set	H21.242.V1K

Pcs 1  
Kg 1,9  
mc 0,048

# GIAMPY

SMALL SIZE



H21.306.D20.V1K



H21.305.D30.V1K



H21.305.V1K





DANILO/GIAMPY	
<b>E27</b> lampholder	H21.305.E27
<b>6,5W</b> filament	H21.305.F1R
<b>8,5W</b> CCT set	H21.305.V1K

Pcs 1  
Kg 8,9  
mc 0,125

Ø 245

DANILO NARDO/GIAMPY 2L	
<b>E27</b> lampholder	H21.305.D20.E27
<b>6,5W</b> filament	H21.305.D20.F1R
<b>8,5W</b> CCT set	H21.305.D20.V1K

Pcs 1  
Kg 9,8  
mc 0,176

Ø 245

DANILO NARDO/GIAMPY 3L	
<b>E27</b> lampholder	H21.305.D30.E27
<b>6,5W</b> filament	H21.305.D30.F1R
<b>8,5W</b> CCT set	H21.305.D30.V1K

Pcs 1  
Kg 10,8  
mc 0,176

Ø 245

DINO NARDO/GIAMPY 2L	
<b>E27</b> lampholder	H21.306.D20.E27
<b>6,5W</b> filament	H21.306.D20.F1R
<b>8,5W</b> CCT set	H21.306.D20.V1K

Pcs 1  
Kg 11,5  
mc 0,186

Ø 245

DINO NARDO/GIAMPY 3L	
<b>E27</b> lampholder	H21.306.D30.E27
<b>6,5W</b> filament	H21.306.D30.F1R
<b>8,5W</b> CCT set	H21.306.D30.V1K

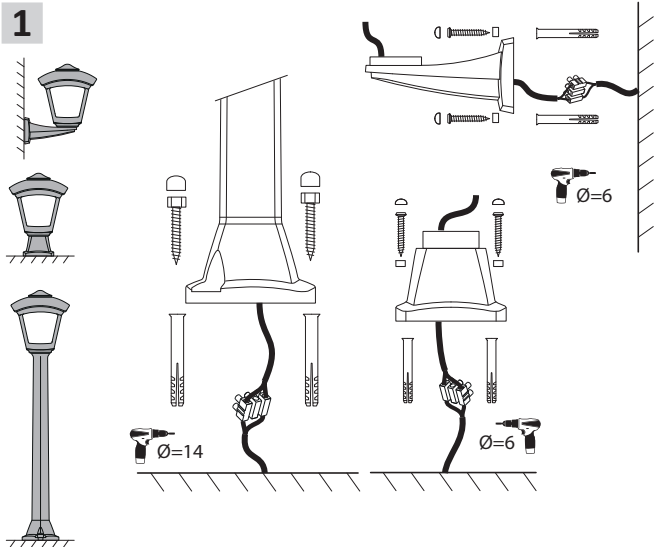
Pcs 1  
Kg 12,2  
mc 0,186

Ø 245

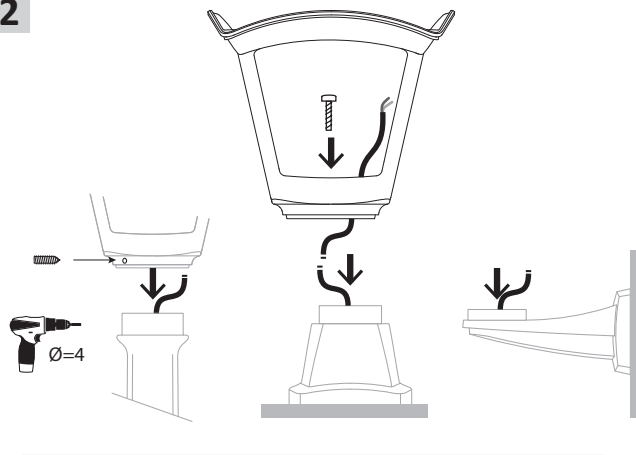


### LANTERN UPWARD position

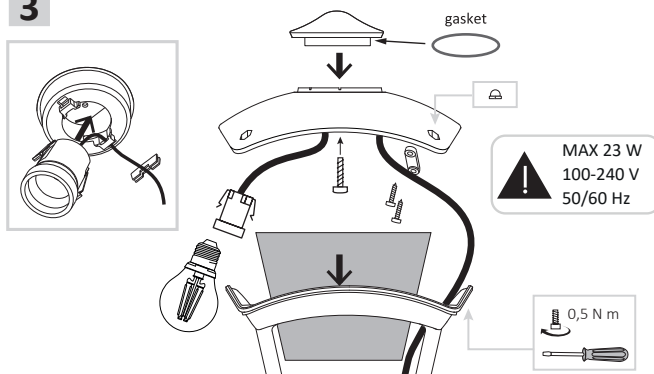
1



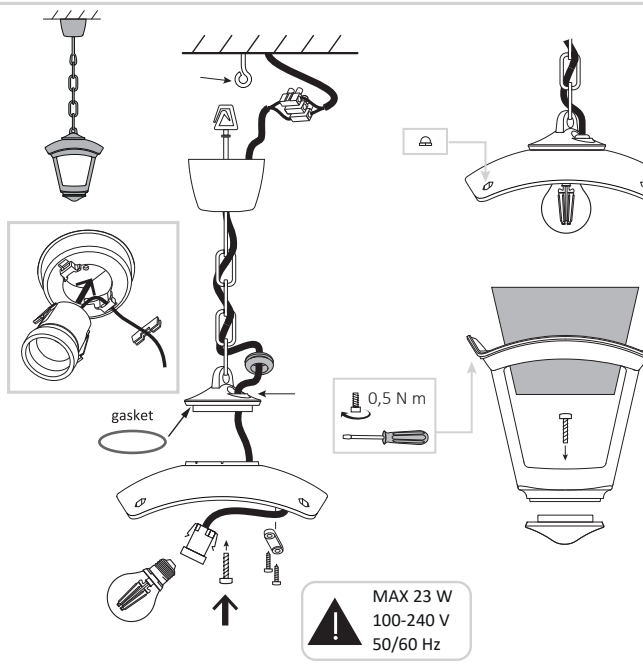
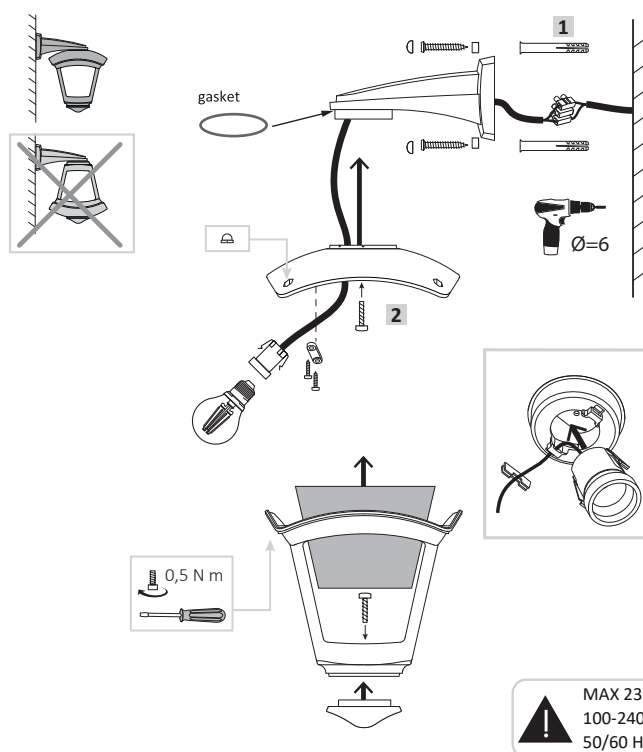
2



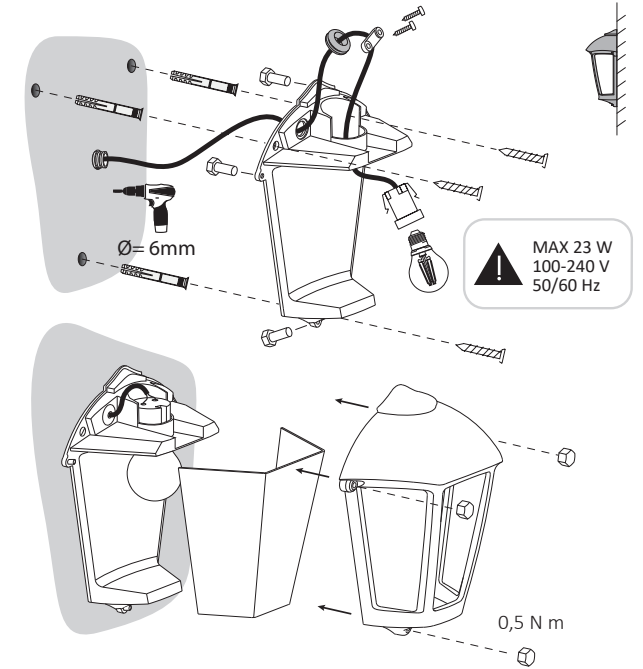
3



### LANTERN DOWNWARD position



### HALF LANTERNS FABIO



### HALF LANTERNS GIULIO

