

GARDEN REVIVAL
GARDEN CLASSIC
BOLLARD
UP&DOWN
DOWNLIGHT
IN-GROUND
BRICKLIGHT
FLOODLIGHT
BULKHEAD
SOLAR
URBAN CLASSIC
URBAN REVIVAL
URBAN MODERN
POST
LAMPS

ANNA

SMALL SIZE



E27 hexagonal lantern in classic style, made of shockproof resin material, UV-rays stabilized, rust and corrosion-free. Modular construction suitable for post top, hanging and wall installation. Supplied as optional with TÜV-CB certified, long-life and efficient **LED lamps** suitable for outdoor use. Insulation class II, protection rating IP55.

Lanterna esagonale E27 in stile classico, realizzata in resina antiurto, stabilizzata ai raggi UV, inattaccabile da ruggine e corrosione. Idonea per il montaggio a palo, a sospensione o a parete. Fornita anche completa di lampadine LED adatte ad uso in ambiente esterno, certificate TÜV-CB, di lunga durata ed elevata efficienza. Classe di isolamento II, grado di protezione IP55.

6,5W 800 lm	8,5W 920 lm	11W 1200 lm
2700 K	2700 K	4000 K 6500 K
+80°C -30°	90% HUMIDITY	VOLTAGE SURGE RESISTANT
INDOOR & OUTDOOR USE		

E22.110.V1K







ANNA - LANTERN COMPONENTS

IP55



Decorative **PINNACLE** to be mounted on the roof top for post installation or on the lantern base for hanging installation.

PINNACOLO decorativo applicabile alla sommità del tetto (montaggio a palo) o sulla base della gabbia (montaggio a sospensione).

Lantern **ROOF** made of shockproof resin material, UV rays stabilized and supplied with E27 lampholder. Tool-free opening for relamping and maintenance.

TETTO realizzato in resina antiurto, stabilizzata ai raggi UV, fornito completo di portalampana E27. Rimovibile senza l'ausilio di attrezzi per manutenzione e cambio lampadina.

DIFFUSER made of UV stabilized polymethylmethacrylate (PMMA) resistant to yellowing process due to sun rays, available in clear or opal color and provided with recess for power cable supply. Made of one piece only and closed at the bottom to ensure high protection against external agents (IP 55).

DIFFUSORE in polimetilmetacrilato (PMMA) resistente al processo di ingiallimento dovuto ai raggi solari, disponibile in colore trasparente od opale e provvisto di scanalatura per il passaggio del cavo di alimentazione. Realizzato in un pezzo unico e con fondo chiuso per garantire un alto livello di protezione contro gli agenti esterni (IP 55).

CAGE made of shockproof resin material, UV-rays stabilized, rust and corrosion-free.

GABBIA realizzata in resina antiurto, stabilizzata ai raggi UV, inattaccabile da ruggine e corrosione.

ANNA

E22.000 *



Dimensions and weight

Height: 310 mm
Width: 220 mm
Depth: 192 mm
Weight: 1 Kg

Moulded colours:

Black White

Painted colours:

Antique green Antique bronze

Diffuser PMMA:

Clear Opal

E27 FILAMENT

E27 CCT SET

100 - 240 V

*ADD. SUFFIX



suitable lamps: CFL-LED max 160 mm

E27 lampholder only .E27

LAMP	POWER	LUMINOUS FLUX UP TO	COLOUR TEMP.	
FILAMENT LED E27	6,5W	800 lm	2700 K	.F1R
CCT SET LED E27	8,5 W	920 lm	6500 K	.V1K
			4000 K	
			2700 K	

- Perfect **MATCHING WITH DECORATIVE LANTERNS.**
- **SUITABLE FOR OUTDOOR USE:** 100-240V driver.
- **360°OMNIDIRECTIONAL LIGHT.**
- **HIGH EFFICIENCY:** 90% ENERGY SAVING.

- **A60 CCT SETTABLE:** 2700K/4000K/6500K.
- **SUITABLE FOR OUTDOOR USE:** 100-240V driver.
- **EYE COMFORT** opal glass.
- **HIGH EFFICIENCY:** >85% ENERGY SAVING.

6,5W filament = 60W incandescent

8,5W CCT

SAVE up to 89%

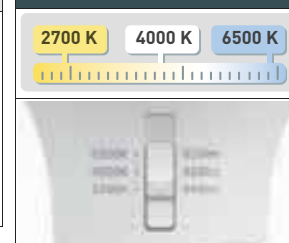
LED LAMPS



LVD EMC ERP

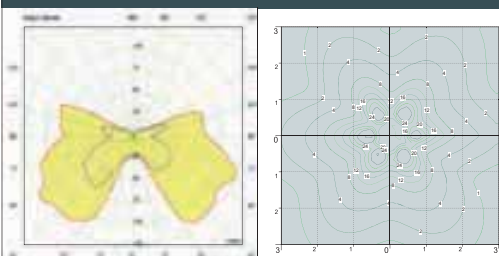
Comply with: EU2019/2015
EU2019/2020
Technical details on page 668.

CCT SETTABLE LED LAMP



CCT switch settable in three different positions, to select the desired Kelvin temperature (2700K/4000K/6500K) and get a customized ambiance.

PHOTOMETRIC DATA SAMPLE



ANNA lantern clear with Fumagalli Filament Led Lamp 6,5W.

POST height 1mt
6x6mt area: average 6 lux

The photometric data for all the versions are available upon request or on our website.

* ADD THESE SUFFIXES TO THE REFERENCES MENTIONED IN THE CATALOGUE

ANNA

SMALL SIZE





BISSO/ANNA	
E27 lampholder	E22.131.E27
6,5W filament	E22.131.F1R
8,5W CCT set	E22.131.V1K
Pcs 18 Kg 21,2 mc 0,209	

SICHEM/ANNA	
E27 lampholder	E22.120.E27
6,5W filament	E22.120.F1R
8,5W CCT set	E22.120.V1K
Pcs 18 Kg 21,2 mc 0,209	

ANNA	
E22.000	
Pcs 1 Kg 1 mc 0,011	

MIKROLOT/ANNA	
E27 lampholder	E22.110.E27
6,5W filament	E22.110.F1R
8,5W CCT set	E22.110.V1K
Pcs 18 Kg 21,2 mc 0,209	

PORPORA/ANNA	
E27 lampholder	E22.141.E27
6,5W filament	E22.141.F1R
8,5W CCT set	E22.141.V1K
Pcs 1 Kg 3,5 mc 0,024	

MIZAR/ANNA resin	
E27 lampholder	E22.151.E27
6,5W filament	E22.151.F1R
8,5W CCT set	E22.151.V1K
Pcs 1 Kg 2,4 mc 0,044	

ALOE'.R/ANNA resin	
E27 lampholder	E22.163.E27
6,5W filament	E22.163.F1R
8,5W CCT set	E22.163.V1K
Pcs 2 Kg 8 mc 0,121	

ARTU'/ANNA	
E27 lampholder	E22.158.E27
6,5W filament	E22.158.F1R
8,5W CCT set	E22.158.V1K
Pcs 1 Kg 9 mc 0,148	

LAMPS
POST
URBAN MODERN
URBAN REVIVAL
URBAN CLASSIC
SOLAR
BULKHEAD
FLOODLIGHT
BRICKLIGHT
IN-GROUND
DOWNLIGHT
UP&DOWN
BOLLARD
GARDEN CLASSIC
GARDEN REVIVAL

ANNA

SMALL SIZE





ARTU' BISSO/ANNA 2+1	
E27 lampholder	E22.158.S21.E27
6,5W filament	E22.158.S21.F1R
8,5W CCT set	E22.158.S21.V1K
Pcs 1 Kg 12,1 mc 0,176	

ARTU' BISSO/ANNA 3+1	
E27 lampholder	E22.158.S31.E27
6,5W filament	E22.158.S31.F1R
8,5W CCT set	E22.158.S31.V1K
Pcs 1 Kg 13,1 mc 0,176	

GIGI BISSO/ANNA 2+1	
E27 lampholder	E22.156.S21.E27
6,5W filament	E22.156.S21.F1R
8,5W CCT set	E22.156.S21.V1K
Pcs 1 Kg 14,1 mc 0,182	

GIGI BISSO/ANNA 3+1	
E27 lampholder	E22.156.S31.E27
6,5W filament	E22.156.S31.F1R
8,5W CCT set	E22.156.S31.V1K
Pcs 1 Kg 15,1 mc 0,182	

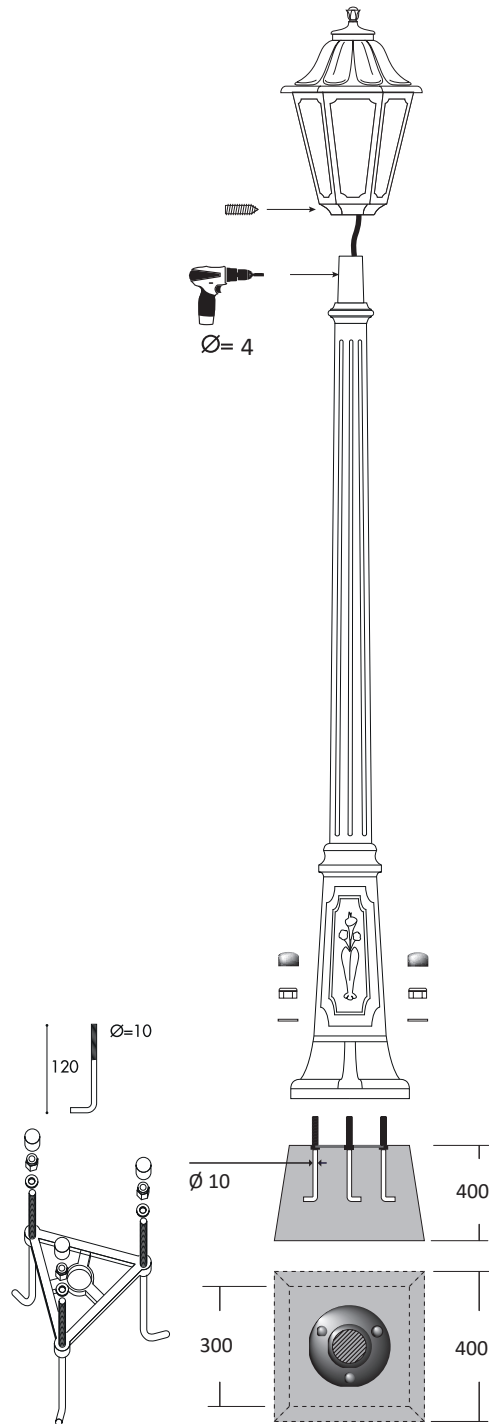
ARTU' BISSO/ANNA 2L	
E27 lampholder	E22.158.S20.E27
6,5W filament	E22.158.S20.F1R
8,5W CCT set	E22.158.S20.V1K
Pcs 1 Kg 11,1 mc 0,176	
<p>Ø245</p>	

ARTU' BISSO/ANNA 3L	
E27 lampholder	E22.158.S30.E27
6,5W filament	E22.158.S30.F1R
8,5W CCT set	E22.158.S30.V1K
Pcs 1 Kg 12,1 mc 0,176	
<p>Ø245</p>	

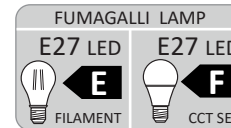
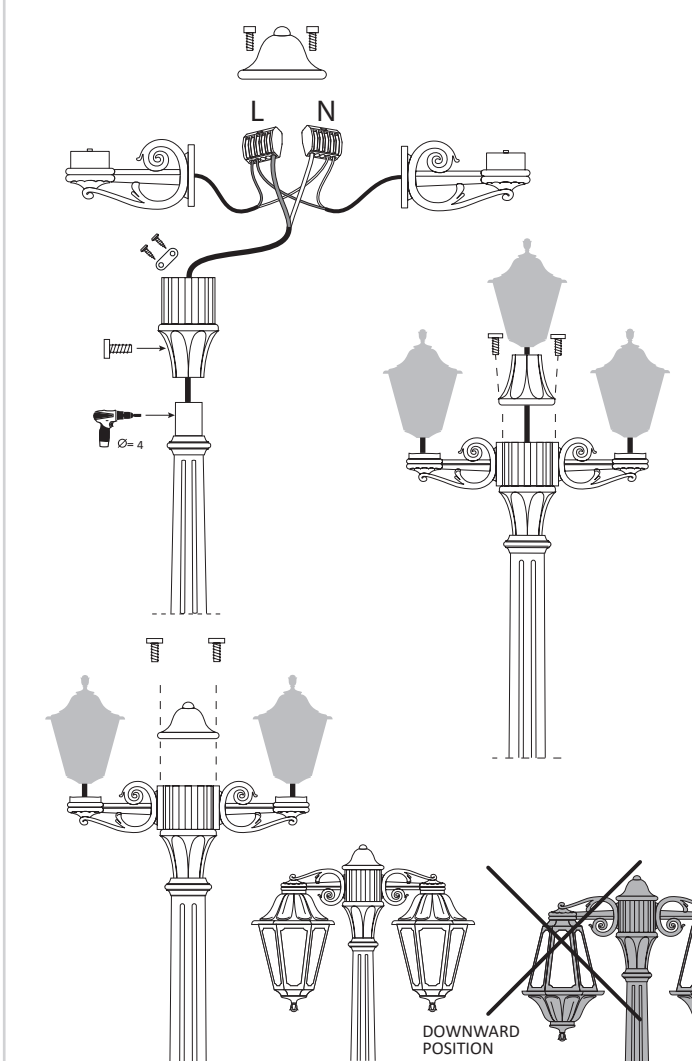
GIGI BISSO/ANNA 2L	
E27 lampholder	E22.156.S20.E27
6,5W filament	E22.156.S20.F1R
8,5W CCT set	E22.156.S20.V1K
Pcs 1 Kg 13,1 mc 0,182	
<p>Ø245</p>	

GIGI BISSO/ANNA 3L	
E27 lampholder	E22.156.S30.E27
6,5W filament	E22.156.S30.F1R
8,5W CCT set	E22.156.S30.V1K
Pcs 1 Kg 14,1 mc 0,182	
<p>Ø245</p>	

POST INSTALLATION



SYSTEM INSTALLATION



[WARRANTY] Fumagalli products are CE marked. Declaration CE of conformity available at www.fumagalli.it/company. The warranty of Fumagalli product is of 1 year. In case of evident manufacturing faults, Fumagalli Srl according to his unquestionable judgement, will proceed to the repair or the replacement. This warranty does not cover any cost neither regarding the transport, nor the uninstallation, nor the re-installation, nor the dismantlement of the material.

[GARANZIA] I prodotti Fumagalli sono marchiati CE. La Dichiarazione CE di conformità è disponibile su www.fumagalli.it/company. I prodotti Fumagalli godono di una garanzia di legge di 1 anno. Nel caso di evidenti difetti di fabbricazione Fumagalli Srl, a suo insindacabile giudizio, procederà alla sua riparazione o sostituzione. In nessun caso l'acquirente potrà reclamare rimborsi o spese sostenute per l'installazione, la disinstallazione, il trasporto o lo smaltimento del materiale.

IST001-1125

fumagalli
since 1973

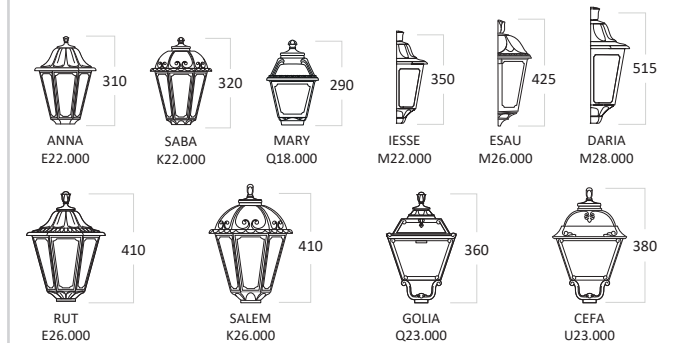
Fumagalli S.r.l.
Via Ca' Bassa, 59
21100 Varese - ITALY
www.fumagalli.it



MADE IN ITALY

SMALL-MEDIUM CLASSIC LANTERN

VERSIONS:
E27



CAUTION! Installation and maintenance procedures must be carried out only after switching off the electricity supply. Fumagalli Srl accepts no responsibility whatsoever for damages caused by incorrect installation, misuse or when used by combining it with non-original spare parts. If in doubt, consult a qualified electrician. Keep the instructions.

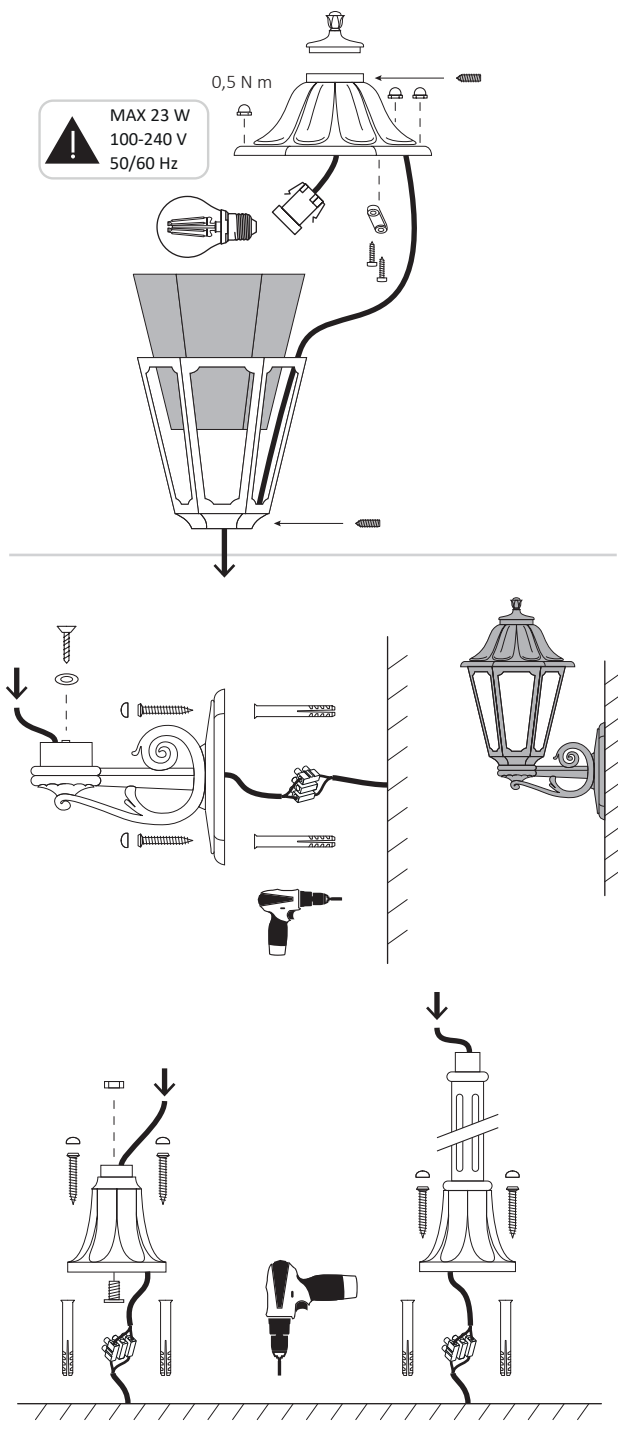
ATTENZIONE! L'installazione e la manutenzione dell'apparecchio devono essere eseguite solo dopo aver disinserito l'energia elettrica. Fumagalli Srl non accetta responsabilità per danni causati da incorretta installazione, incorretto uso o dall'utilizzo di parti di ricambio che non appartengono al prodotto originale. Per qualsiasi dubbio, consultare un elettricista qualificato. Conservare le istruzioni.

ATTENTION! Les opérations de montage et d'entretien ne doivent être effectués que lorsque le courant électrique est coupé. Fumagalli Srl n'accepte pas aucun responsabilité pour toutes les dommages causés par une mauvaise installation, par un' utilisation incorrecte or par l'utilisation des pièces de rechange qui ne sont pas originales. En cas de doutes, faites appel à un électricien qualifié. Conserver les instructions.

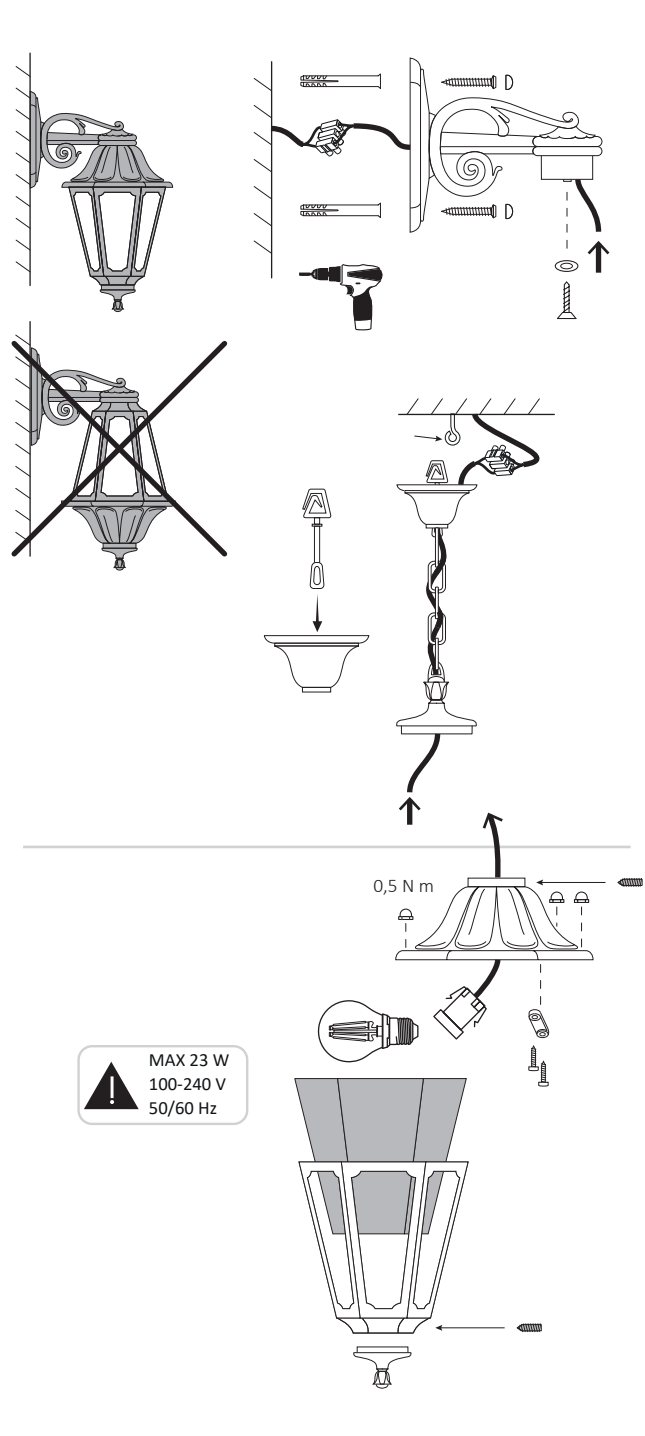
PRECAUCIÓN! Lleve a cabo la instalación y mantenimiento tras cortar la tensión de la instalación eléctrica. En cualquier caso Fumagalli Srl no aceptará responsabilidad alguna por instalación incorrecta, mal uso o por su uso con accesorios no originales del fabricante. En caso de duda consulte con un electricista cualificado. Guarde estas instrucciones.

تحذیر! إجراءات التركيب والصيانة يجب تنفيذها إلا بعد إيقاف تشغيل التيار الكهربائي. الشركة المصنعة فوماجالي لا تقبل أي مسؤولية عن الأضرار الناجمة عن التركيب غير الصحيح, سوء الاستخدام, أو عند استخدام قطع غير أصلية عند الجمع. إذا إنتابك أي شك, قم باستشارة كهربائي مختص, قم بتتبع التعليمات.

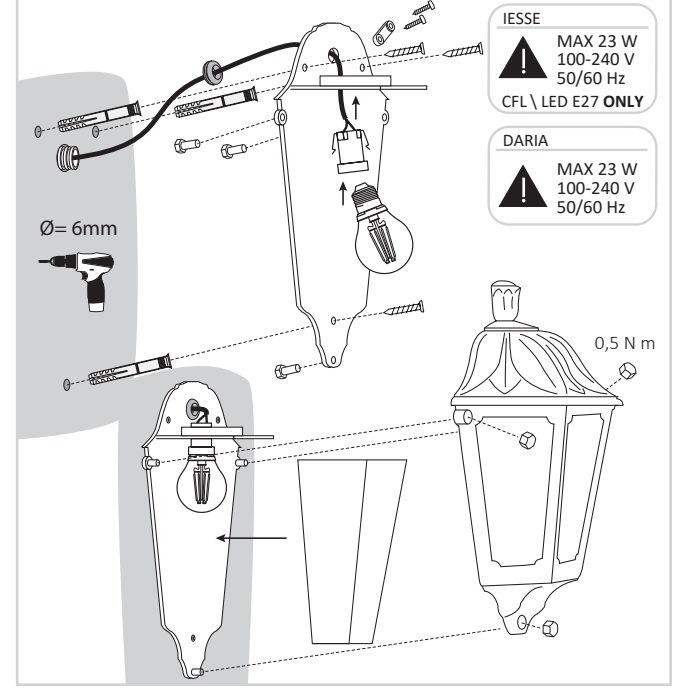
LANTERN UPWARD position



LANTERN DOWNWARD position



HALF LANTERN IESSE - DARIA



HALF LANTERN ESAU

