

GARDEN REVIVAL
GARDEN CLASSIC
BOLLARD
UP&DOWN
DOWNLIGHT
IN-GROUND
BRICKLIGHT
FLOODLIGHT
BULKHEAD
SOLAR
URBAN CLASSIC
URBAN REVIVAL
URBAN MODERN
POST
LAMPS

BERTA

MEDIUM ROUND



Round bulkhead lamp with **no visible screws**, made of shockproof resin material, UV-rays stabilized, rust and corrosion-free. Suitable for wall and ceiling installation. **Kelvin & Power settable GX53 LED** or **E27** version available. Insulation class II, Protection rating IP66.

*Plafoniera circolare senza viti a vista, realizzata in resina antiurto stabilizzata ai raggi UV, inattaccabile da ruggine e corrosione. Idonea per il montaggio a parete e a soffitto. Disponibile nella versione **GX53 LED con Kelvin e Potenza impostabili** o **E27**. Classe di isolamento II, grado di protezione IP66.*



WATT SETTABLE
15 W 9 W

CCT SETTABLE
2700 K 4000 K

15W 1940 lm



1B2.000

POWER SETTABLE

15W 9W

CCT SETTABLE

2700 K 4000 K

SDCM <6

MADE IN ITALY

BERTA - COMPONENTS

IP 66



COVER with no visible screws made of shockproof resin material, UV-rays stabilized.

COVER senza viti a vista realizzata in resina antiurto stabilizzata ai raggi UV.

Opal **DIFFUSER** made of UV-rays stabilized polymethylmethacrylate (PMMA) screwed to the bulkhead base.

DIFFUSORE opale realizzato in polimetilmetacrilato (PMMA) stabilizzato ai raggi UV da avvitare alla base della plafoniera.

BASE made of shockproof resin material, UV-rays stabilized. Provided with GX53 lampholder or with white resin reflective plate and E27 lampholder. Complete with silicone rubber gasket to ensure high protection against external agents.

BASE realizzata in resina antiurto, stabilizzata ai raggi UV. Fornita completa di portalamпада GX53 o di piatto riflettente in resina bianca e portalamпада E27. Completa di guarnizione in gomma siliconica per garantire un alto livello di protezione contro gli agenti esterni.

BERTA



Dimensions and weight

Diameter: \varnothing 275 mm
Depth: 80 mm
Weight: 1 Kg

Moulded colours:

Black White Grey

Diffuser PMMA:

Opal

LED LAMPS



Comply with: EU2019/2015
EU2019/2020
Technical details on page 668.

GX53 LED

FULLY PRE-WIRED



Bulkhead supplied **fully pre-wired** and complete with TÜV-CB certified, long-life, efficient, **Kelvin and Power settable GX53 LED lamp included.**

- **COST SAVING:** long-life and efficient LED light sources.
- **BUILT-IN DRIVER:** Quick and easy lamp replacement.
- **UNIFORM LIGHT:** No shadows on the diffuser.

100 - 240 V

LAMP	POWER SETTABLE	LUMINOUS FLUX UP TO	COLOUR TEMP.	*ADD. SUFFIX
	15 W	1940 lm	2700 K	.E1P
			4000 K	
	9 W eco mode	1300 lm	2700 K	
			4000 K	

15W-9W = 150W-100W
incandescent

SAVE 90%

E27

FULLY PRE-WIRED



Bulkhead supplied **fully pre-wired** with **E27 lampholder**. White resin reflective plate designed to grant lampholder protection and isolation. Safe fixation of the electrical devices on the plate rear side.

Daylight and motion sensor available as an option. Sensor operating voltage: 220-240V (120V available on demand).

*ADD. SUFFIX

E27 (CFL-LED)	max 160 mm	.P27
E27 + SENSOR (CFL-LED)		.PS7

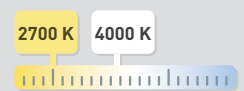
SETTABLE LED LAMP

POWER SETTABLE

15W



CCT SETTABLE



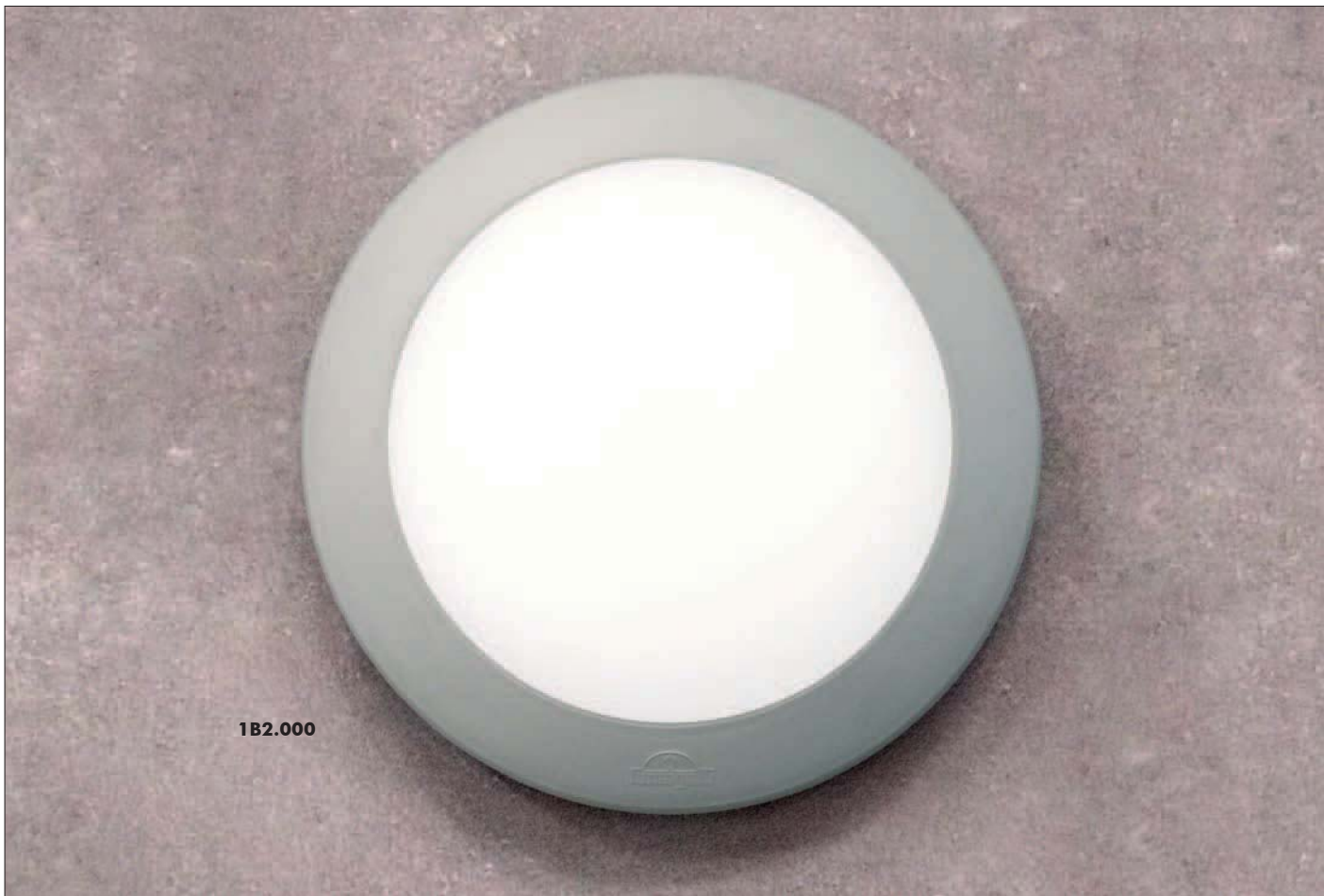
POWER switch settable in two different positions to select full power mode(15W) or eco mode (9W).

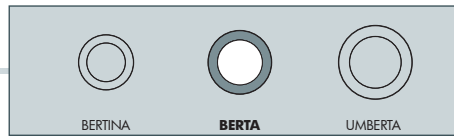
CCT switch settable in two different positions, to select the desired Kelvin temperature (2700K/4000K) and get a customized ambiance.

LAMPS POST URBAN MODERN URBAN REVIVAL URBAN CLASSIC SOLAR BULKHEAD FLOODLIGHT BRICKLIGHT IN-GROUND DOWNLIGHT UP&DOWN BOLLARD GARDEN CLASSIC GARDEN REVIVAL

BERTA

MEDIUM ROUND





BERTA GX53	
15W/9W	1B2.000.E1P
CCT & POWER SETTABLE GX53 LED LAMP INCLUDED 2700K/4000K	
Pcs 16 Kg 20 mc 0,194	

BERTA E27	
E27 lampholder	1B2.000.P27
E27 with sensor	1B2.000.PS7
Pcs 16 Kg 16,8 mc 0,194	



BERTINA - BERTA - UMBERTA

BULKHEADS E27/GX53 LED



MODEL:

Bertina
Berta
Berta sensor

Umberta
Umberta sensor
Umberta Emergency

Fumagalli S.r.l.
Via Ca' Bassa, 59
21100 Varese - ITALY
www.fumagalli.it



MADE IN ITALY



UK CAUTION! Installation and maintenance procedures must be carried out only after switching off the electricity supply. Use energy saving lamps only. If present, fit the gasket properly inside the diffuser, to ensure the IP protection. Fumagalli Srl accepts no responsibility whatsoever for damages caused by incorrect installation, misuse or when used by combining it with non-original spare parts. If in doubt, consult a qualified electrician. Keep the instructions.



I ATTENZIONE! L'installazione e la manutenzione dell'apparecchio devono essere eseguite solo dopo aver disinserito l'energia elettrica. Utilizzare solo lampade a basso consumo. Laddove presente, assicurarsi del corretto posizionamento della guarnizione all'interno dell'apparecchio al fine di garantire il grado di protezione IP. Fumagalli Srl non accetta responsabilità per danni causati da incorretta installazione, incorretto uso o dall'utilizzo di parti di ricambio che non appartengono al prodotto originale. Per qualsiasi dubbio, consultare un elettricista qualificato. Conservare le istruzioni.

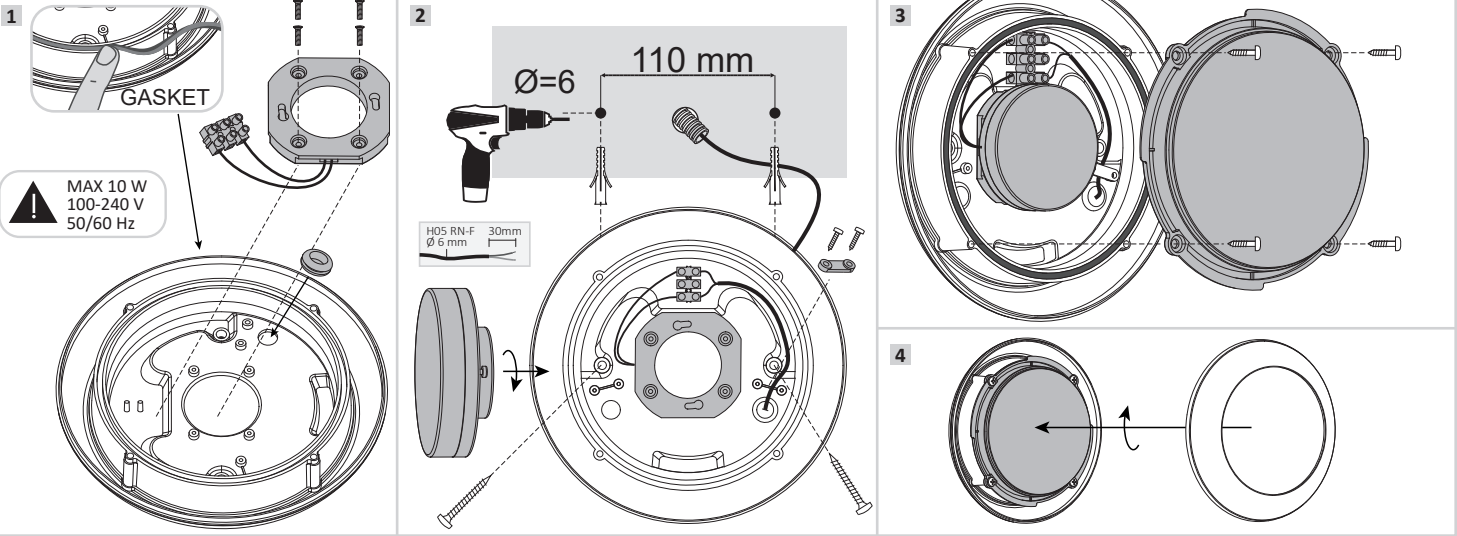


F ATTENTION! Les opérations de montage et d'entretien ne doivent être effectués que lorsque le courant électrique est coupé. Utiliser seulement des ampoules à économie d'énergie. Si présent, assurer le positionnement correct de le joint dans l'appareil, afin de garantir le degré de protection IP. Fumagalli Srl n'accepte pas aucun responsabilité pour toutes les dommages causés par une mauvaise installation, par un' utilisation incorrecte ou par l'utilisation des pièces de rechange qui ne sont pas originales. En cas de doutes, faites appel à un électricien qualifié. Conserver les instructions.

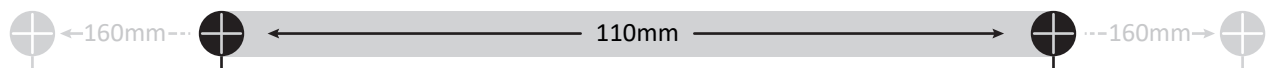
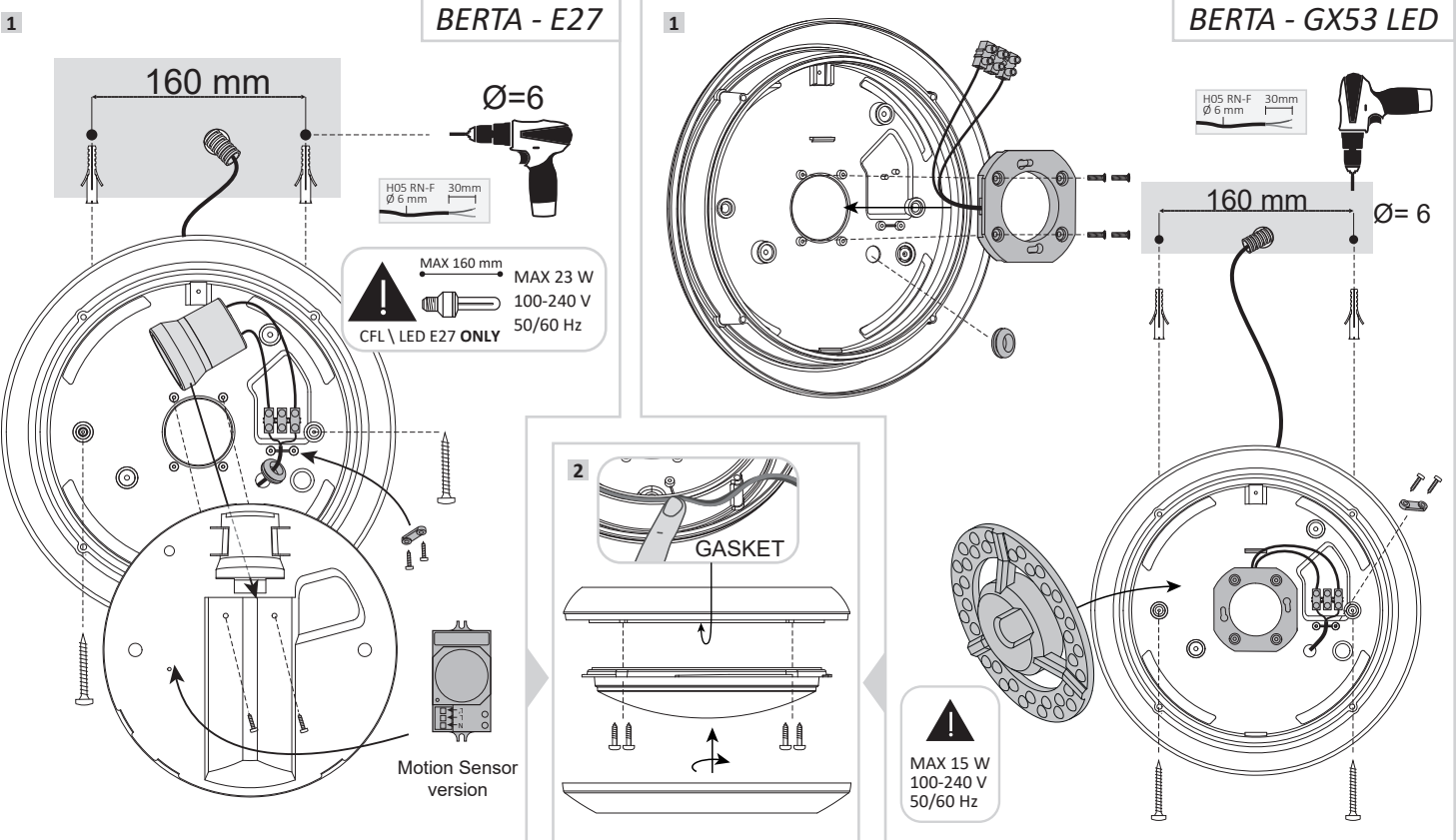
E PRECAUCIÓN! Lleve a cabo la instalación y mantenimiento tras cortar la tensión de la instalación eléctrica. Use únicamente lámparas de ahorro. Si se incluye, juste correctamente el aro de goma con el producto para asegurar la protección IP indicada en el producto. En cualquier caso Fumagalli Srl no aceptará responsabilidad alguna por instalación incorrecta, mal uso o por su uso con accesorios no originales del fabricante. En caso de duda consulte con un electricista cualificado. Guarde estas instrucciones.

A **تحذير!** إجراءات التركيب والصيانة يجب تنفيذها إلا بعد إيقاف تشغيل التيار الكهربائي. قم باستخدام المصابيح الموفرة للطاقة فقط. إذا كان موجوداً، قم بتركيب الحشوة كما ينبغي بصورة صحيحة داخل الغطاء المخصص لنشر الضوء بشكل متساوي، لضمان الحماية من تدفق الماء. الشركة المصنعة فوماجالي لا تقبل أي مسؤولية عن الأضرار الناجمة عن التركيب غير الصحيح، سوء الاستخدام، أو عند استخدام قطع غيار غير أصلية عند التجميع. إذا إنتابك أي شك، قم باستشارة كهربائي مختص، قم بتتبع التعليمات.

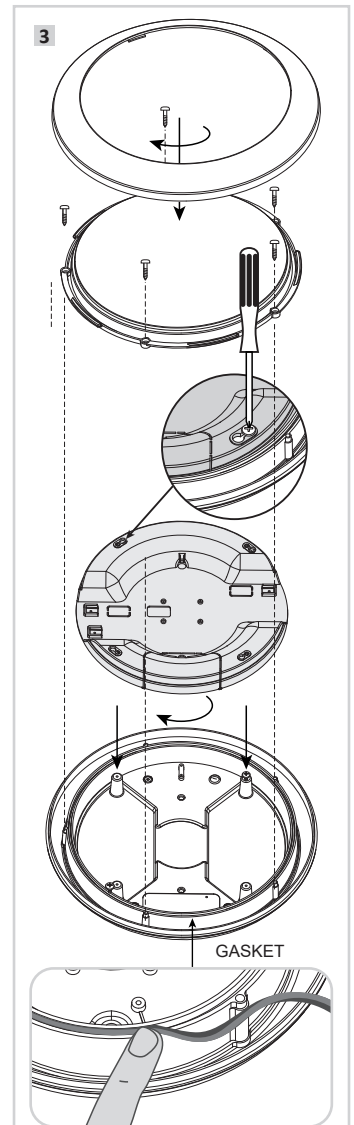
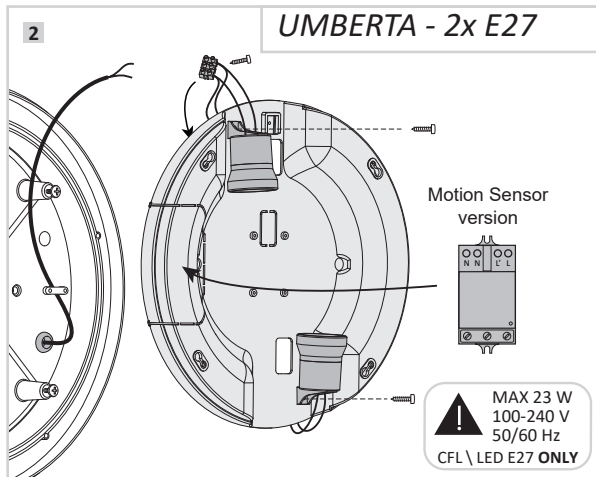
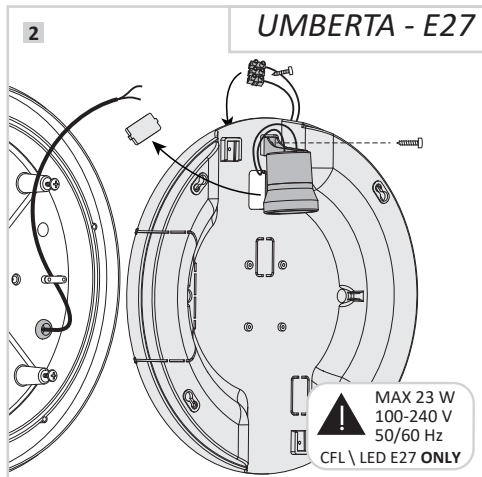
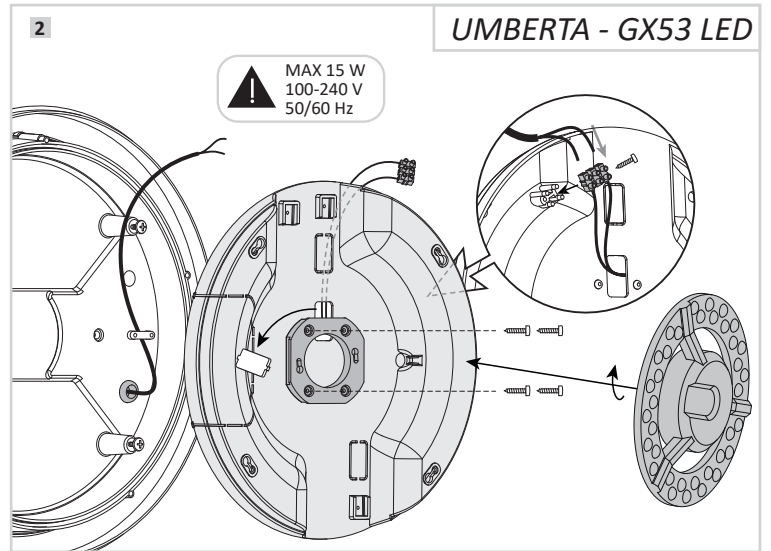
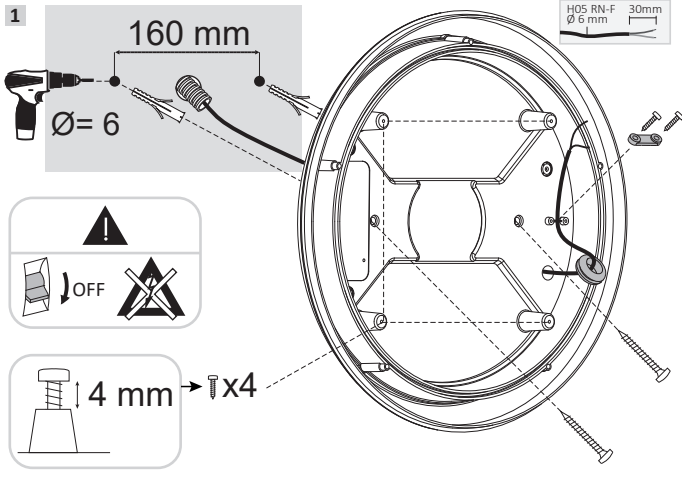
BERTINA - GX53 LED



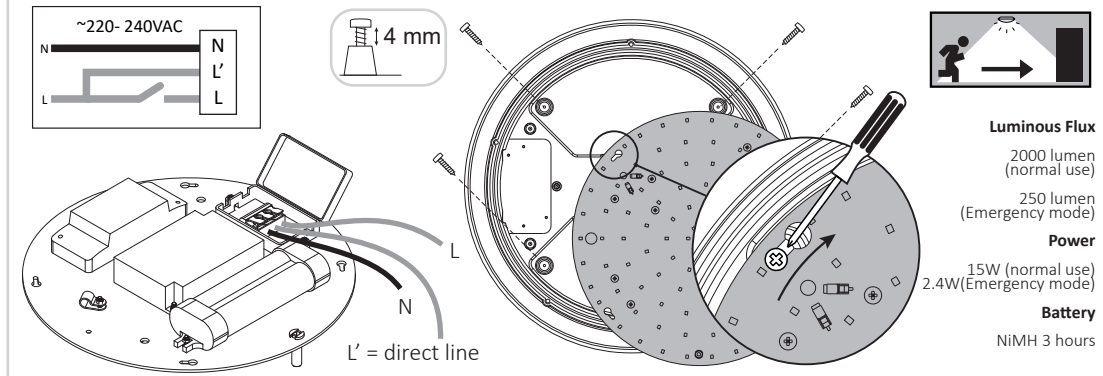
BERTA



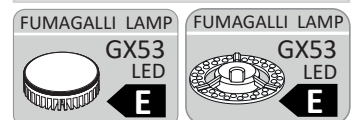
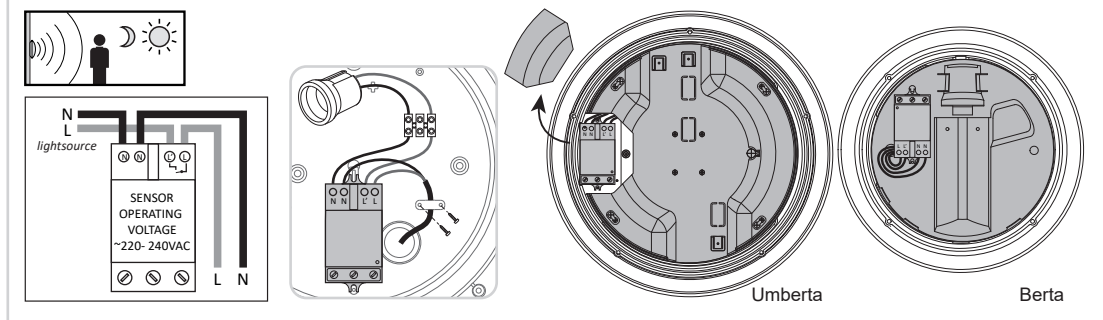
UMBERTA



UMBERTA - LED MAINTAINED EMERGENCY



MOTION SENSOR



[WARRANTY] Fumagalli products are C[€] marked. Declaration C[€] of conformity available at www.fumagalli.it/company. The warranty of Fumagalli product is of 1 year. In case of evident manufacturing faults, Fumagalli Srl according to his unquestionable judgement, will proceed to the repair or the replacement. This warranty does not cover any cost neither regarding the transport, nor the uninstallation, nor the re-installation, nor the dismantlement of the material.

[GARANZIA] I prodotti Fumagalli sono marchiati C[€]. La Dichiarazione C[€] di conformità è disponibile su www.fumagalli.it/company. I prodotti Fumagalli godono di una garanzia di legge di 1 anno. Nel caso di evidenti difetti di fabbricazione Fumagalli Srl, a suo insindacabile giudizio, procederà alla sua riparazione o sostituzione. In nessun caso l'acquirente potrà reclamare rimborsi o spese sostenute per l'installazione, la disinstallazione, il trasporto o lo smaltimento del materiale.



← 160mm →

