

GARDEN REVIVAL
GARDEN CLASSIC
BOLLARD
UP&DOWN
DOWNLIGHT
IN-GROUND
BRICKLIGHT
FLOODLIGHT
BULKHEAD
SOLAR
URBAN CLASSIC
URBAN REVIVAL
URBAN MODERN
POST
LAMPS

FRANCY

UP & DOWN



Bulkhead lamp with no visible screws and UP&DOWN light emission. Made of shockproof resin material, UV-rays stabilized, rust and corrosion-free. Supplied as optional with TÜV-CB certified, long-life and efficient **E27 LED lamp** suitable for outdoor use. Insulation class II, protection rating IP66.



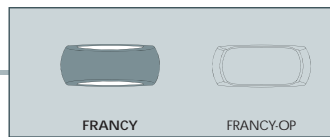
Plafoniera senza viti a vista con emissione della luce UP&DOWN. Realizzata in resina antiurto, stabilizzata ai raggi UV, inattaccabile da ruggine e corrosione. Fornita anche completa di lampadina LED E27 adatta ad uso in ambiente esterno, certificata TÜV-CB, di lunga durata ed elevata efficienza. Classe di isolamento II, grado di protezione IP66.



1A1.000.F1R

| | | | | | |
|------------|------------|-------------|-------------------|------|----------------|
| | | | | | |
| | | | | | |
| RECYCLABLE | ANTI-SHOCK | TEMPERATURE | DOUBLE INSULATION | WALL | INDOOR OUTDOOR |





FRANCY - COMPONENTS

IP 66



COVER with no visible screws made of shockproof resin material UV-rays stabilized. Designed for getting UP&DOWN or side light emission.

COVER senza viti a vista realizzata in resina antiurto, stabilizzata ai raggi UV. Disegnata per ottenere un'emissione laterale della luce.

DIFFUSER made of UV-rays stabilized polymethylmethacrylate (PMMA) screwed to the bulkhead base.

DIFFUSORE realizzato in polimetilmetacrilato (PMMA) stabilizzato ai raggi UV da avvitare alla base della plafoniera.

BASE made of shockproof resin material, UV-rays stabilized, suitable for the electrical devices fixation. Provided with E27 lampholder and with silicone rubber gasket to ensure high protection against external agents.

BASE realizzata in resina antiurto, stabilizzata ai raggi UV, adatta ad alloggiare gli accessori elettrici. Fornita completa di portalampada E27 e di guarnizione in gomma silconica per garantire un alto livello di protezione contro gli agenti esterni.

FRANCY



Dimensions and weight

Width: 130 mm
Height: 300 mm
Depth: 90 mm
Weight: 0,7 Kg

Moulded Colours:

Black Grey White

Diffuser PMMA:

Opal

E27



Bulkhead supplied **complete** with **E27** lampholder. Provided as an option with TÜV-CB certified, long-life, efficient **E27 LED lamp** suitable for outdoor use. Quick and easy lamp replacement for a very simple maintenance after installation.

*ADD. SUFFIX

| E27 (CFL-LED) | | max 160 mm | *ADD. SUFFIX | |
|---------------------|-------|---------------------|----------------------------|------|
| LAMP | POWER | LUMINOUS FLUX UP TO | COLOUR TEMP. | |
| FILAMENT LED E27 | 6,5 W | 800 lm | 2700 K | .F1R |
| CCT SET LED E27 (*) | 8,5 W | 920 lm | 6500 K 4000 K 2700 K | .V1K |

E27 with sensor



Bulkhead supplied **complete** with **E27** lampholder and **LED lamps** as an option. Provided with microwave daylight and motion **sensor**. Sensor operating voltage: 220-240V. (120V version available on demand).

*ADD. SUFFIX

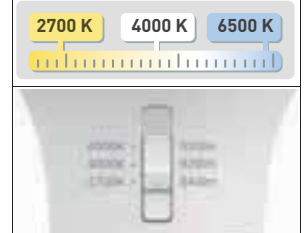
| E27 (CFL-LED) | | max 160 mm | *ADD. SUFFIX | |
|------------------|-------|---------------------|----------------------------|------|
| LAMP | POWER | LUMINOUS FLUX UP TO | COLOUR TEMP. | |
| FILAMENT LED E27 | 6,5 W | 800 lm | 2700 K | .S1R |
| CCT SET LED E27 | 8,5 W | 920 lm | 6500 K 4000 K 2700 K | .VSK |

LED LAMPS

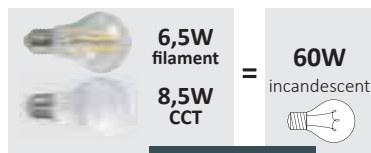


Comply with: EU2019/2015
EU2019/2020
Technical details on page 668.

CCT SETTABLE LED LAMP



CCT switch settable in three different positions, to select the desired Kelvin temperature (2700K/4000K/6500K) and get a customized ambiance.



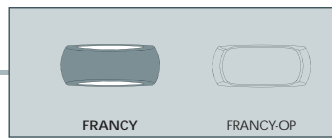
SAVE up to 89%

* ADD THESE SUFFIXES TO THE REFERENCES MENTIONED IN THE CATALOGUE

FRANCY
UP&DOWN



LAMPS
POST
URBAN MODERN
URBAN REVIVAL
URBAN CLASSIC
SOLAR
BULKHEAD
FLOODLIGHT
BRICKLIGHT
IN-GROUND
DOWNLIGHT
UP&DOWN
BOLLARD
GARDEN CLASSIC
GARDEN REVIVAL



| FRANCY | | |
|----------------------|-------------------|-------------|
| E27 lampholder | | 1A1.000.E27 |
| 6,5W filament | 2700K | 1A1.000.F1R |
| 8,5W CCT set | 2700K/4000K/6500K | 1A1.000.V1K |

Pcs 24
Kg 18,2
mc 0,12



FRANCY

WALL LAMP

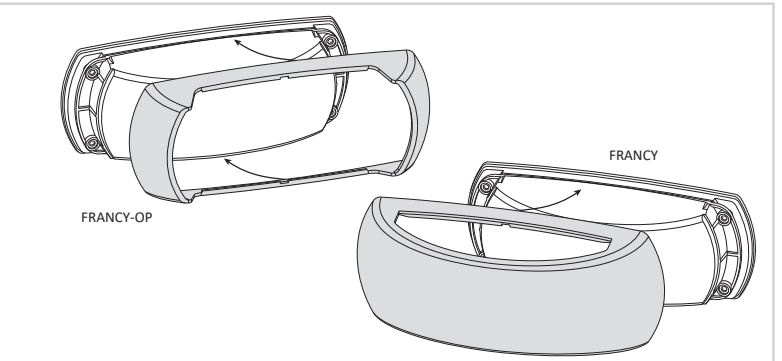
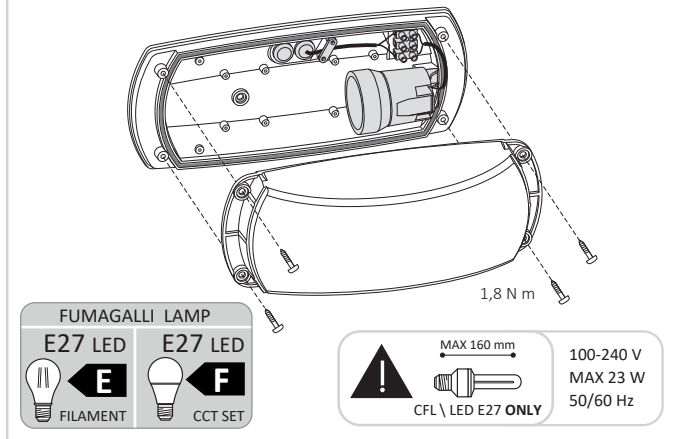
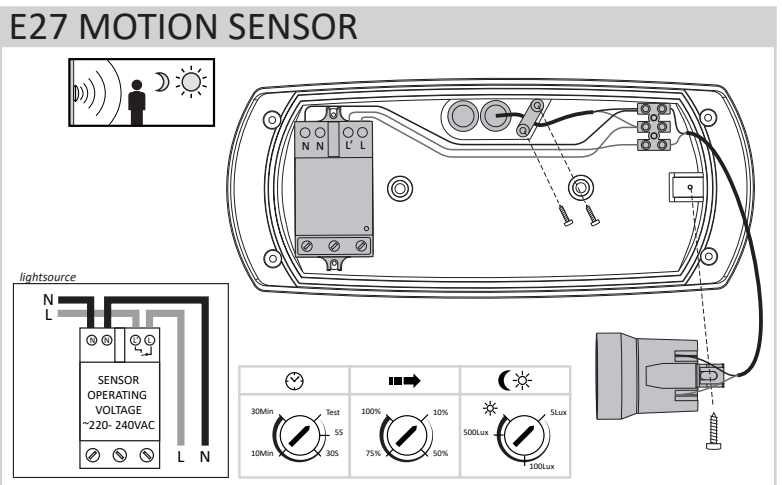
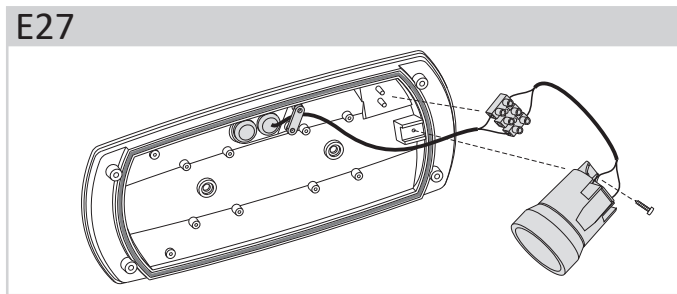
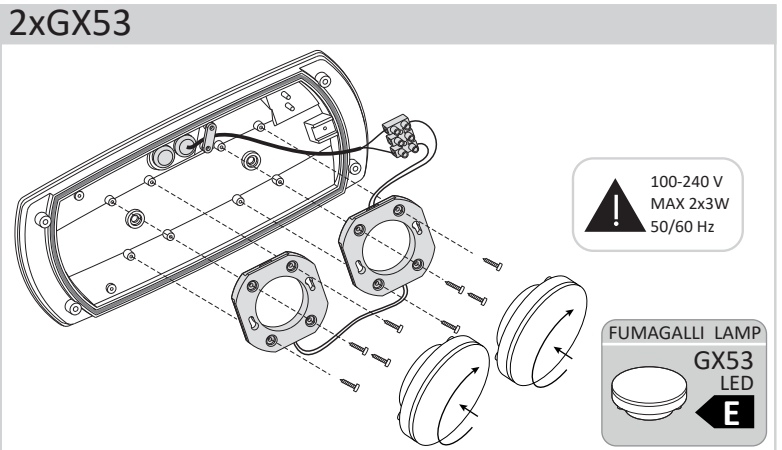
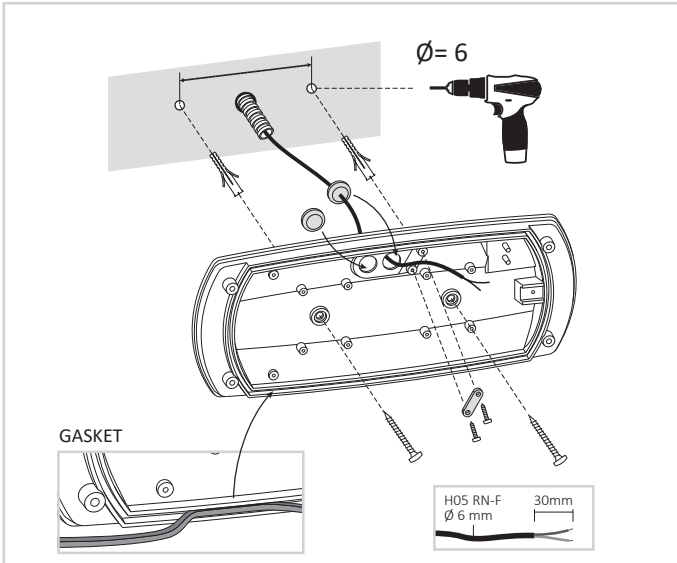
VERSIONS:
Francy E27
Francy-OP E27
Francy-OP 2x GX53

Fumagalli S.r.l.
Via Ca' Bassa, 59
21100 Varese - ITALY
www.fumagalli.it



MADE IN ITALY

- UK** CAUTION! Installation and maintenance procedures must be carried out only after switching off the electricity supply. Use energy saving lamps only. If present, fit the gasket properly inside the diffuser, to ensure the IP protection. Fumagalli Srl accepts no responsibility whatsoever for damages caused by incorrect installation, misuse or when used by combining it with non-original spare parts. If in doubt, consult a qualified electrician. Keep the instructions.
- I** ATTENZIONE! L'installazione e la manutenzione dell'apparecchio devono essere eseguite solo dopo aver disinserito l'energia elettrica. Utilizzare solo lampade a basso consumo. Laddove presente, assicurarsi del corretto posizionamento della guarnizione all'interno dell'apparecchio al fine di garantire il grado di protezione IP. Fumagalli Srl non accetta responsabilità per danni causati da incorretta installazione, incorretto uso o dall'utilizzo di parti di ricambio che non appartengono al prodotto originale. Per qualsiasi dubbio, consultare un elettricista qualificato. Conservare le istruzioni.
- F** ATTENTION! Les opérations de montage et d'entretien ne doivent être effectués que lorsque le courant électrique est coupé. Utiliser seulement des ampoules à économie d'énergie. Si présent, assurer le positionnement correct de le joint dans l'appareil, afin de garantir le degré de protection IP. Fumagalli Srl n'accepte pas aucun responsabilité pour toutes les dommages causés par une mauvaise installation, par un utilisation incorrecte or par l'utilisation des pièces de rechange qui ne sont pas originales. En cas de doutes, faites appel à un électricien qualifié. Conserver les instructions.
- E** PRECAUCIÓN! Lleve a cabo la instalación y mantenimiento tras cortar la tensión de la instalación eléctrica. Use únicamente lámparas de ahorro. Si se incluye, juste correctamente el aro de goma con el producto para asegurar la protección IP indicada en el producto. En cualquier caso Fumagalli Srl no aceptará responsabilidad alguna por instalación incorrecta, mal uso o por su uso con accesorios no originales del fabricante. En caso de duda consulte con un electricista cualificado. Guarde estas instrucciones.
- A** **تحذير!**
إجراءات التركيب والصيانة يجب تنفيذها إلا بعد إيقاف تشغيل التيار الكهربائي. قم باستخدام المصابيح الموفرة للطاقة فقط. إذا كان موجوداً، قم بتركيب الحشوة كما ينبغي بصورة صحيحة داخل الغطاء المخصص لنشر الضوء بشكل متساوي. لضمان الحماية من تدفق الماء. الشركة المصنعة فوماجالي لا تقبل أي مسؤولية عن الأضرار الناجمة عن التركيب غير الصحيح، سوء الاستخدام، أو عند استخدام قطع غيار غير أصلية عند الجمع. إذا إنتابك أي شك، قم باستشارة كهربائي مختص، قم بتتبع التعليمات.



[WARRANTY] Fumagalli products are CE marked. Declaration CE of conformity available at www.fumagalli.it/company. The warranty of Fumagalli product is of 1 year. In case of evident manufacturing faults, Fumagalli Srl according to his unquestionable judgement, will proceed to the fixation or the replacement. This warranty does not cover any cost neither regarding the transport, nor the uninstallation, nor the re-installation, nor the dismantlement of the material.

[GARANZIA] I prodotti Fumagalli sono marchiati CE. La Dichiarazione CE di conformità è disponibile su www.fumagalli.it/company. I prodotti Fumagalli godono di una garanzia di legge di 1 anno. Nel caso di evidenti difetti di fabbricazione Fumagalli Srl, a suo insindacabile giudizio, procederà alla sua riparazione o sostituzione. In nessun caso l'acquirente potrà reclamare rimborsi o spese sostenute per l'installazione, la disinstallazione, il trasporto o lo smaltimento del materiale.

